

# Technical Data

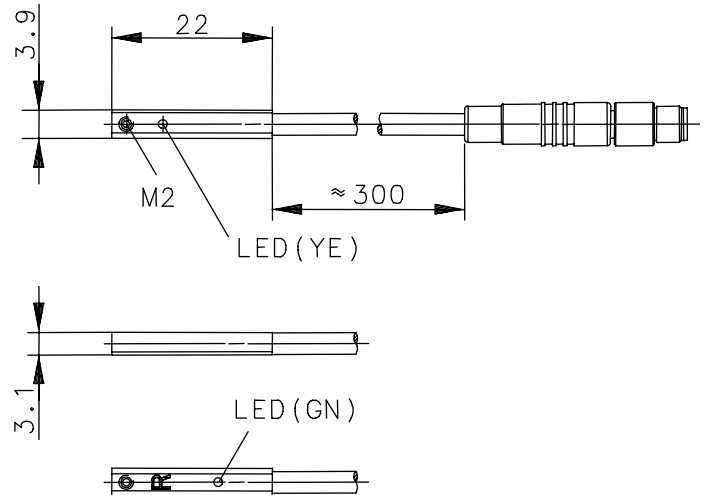
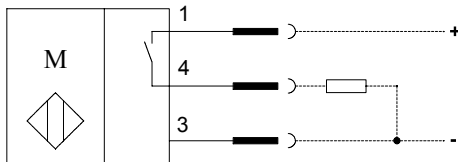
## Magnetic proximity sensor

### Series MA-81

Type **MMS22-SPM5**

Ident.-No. **0301454**

#### Wiring Diagram



#### Magnetic characteristics

			min.	typ.	max.
Operate point	[mT]	B <sub>OPS</sub>	-2,65	-3,0	-4,5
Release point	[mT]	B <sub>RPS</sub>	-0,5	-2,2	-
Hysteresis	[mT]	B <sub>HYS</sub>	-	0,8	-

#### Operating Data

Operational voltage range	U <sub>B</sub>	10 ... 30V DC; supply reversal protection
Non-load supply current		< 20mA
Voltage drop	U <sub>d</sub>	< 2V

#### Output Data

Output voltage max.	Supply voltage
Rated operational current	200mA
Output function	PNP, N.O.; 3-wire; actuated by south pole

#### Operating and Ambient Conditions

Ambient air temperature	-15° ... +80°C (cable in fixed installation)
Protection type	IP 67 acc. to IEC 529, EN 60529 (only in fully locked position with it's plugs)
Enclosure	PA, black
Connection	Cable 0,3m, PUR-outer jacket, black with plug socket M5
Indication	LED yellow, output indication / switched position LED green, output indication / switched position

#### Remarks

Internal - Type	MEK-81SP2-04.2-0,3S/KL
Internal - Number	6472281067

This document will not become the contractual basis; the details included herein do not constitute any descriptions of expected conditions, so that warranties/claims for defects on account of possible variations of the actual from the here described condition are excluded. Subject to modifications and amendments.

Date of issue: 09.11.2006 / Page 1 of 1  
Document: 6472281067\_en.doc / Last update: 1 / 0752-06