

Technical Data

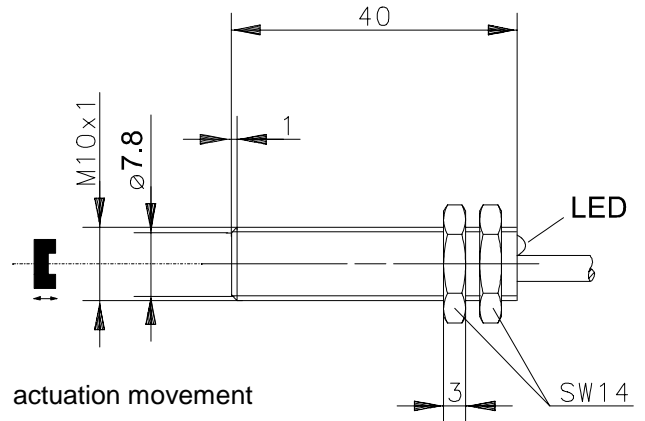
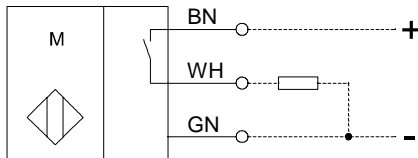
Magnetic proximity sensor

Series MA-61

Type designation **MHM-6112-0,3-PNP/S**

Item number **6472261038**

Wiring Diagram



Characteristic features in accordance with EN 60947-5-2

Electrical data

Operating voltage range	U_B	10 ... 39VDC; supply reversal protection
Non-load supply current		< 20mA
Magnetic density		typ. 10mT
Electrical output		3-wire, PNP
Rated operational current		400mA, short circuit protection
Voltage drop	U_d	< 3V
Mech. lifetime		10^8 switchings, however, according to the load resetability and ambient conditions
Output function		PNP, N.O.; actuated by south pole
Time delay before availability	t_v	< 70ms
Response time for switching on	t_s	< 35µs
Response time for switching off	t_p	< 700µs

Mechanical data

Housing	CuZn39Pb3, nickel-plated
Temperature range	-20°C bis +70°C
Protection	IP 67 to IEC 529, En 60529
Connection	cable 3x0,14mm ² x 0,3m, UNITRONIC UL/CSA (other lengths upon request)
Indication	LED red, output

EC conformity



Remarks

OTIS – Part number	AAA608J1
OTIS – Identification	blue

This document will not become the contractual basis; the details included herein do not constitute any descriptions of expected conditions, so that warranties/claims for defects on account of possible variations of the actual from the here described condition are excluded. Subject to modifications and amendments.

Date of issue: 16.04.2004 / Page 1 of 1
Document: 6472261038_en / Last update: 1 / 2047-03