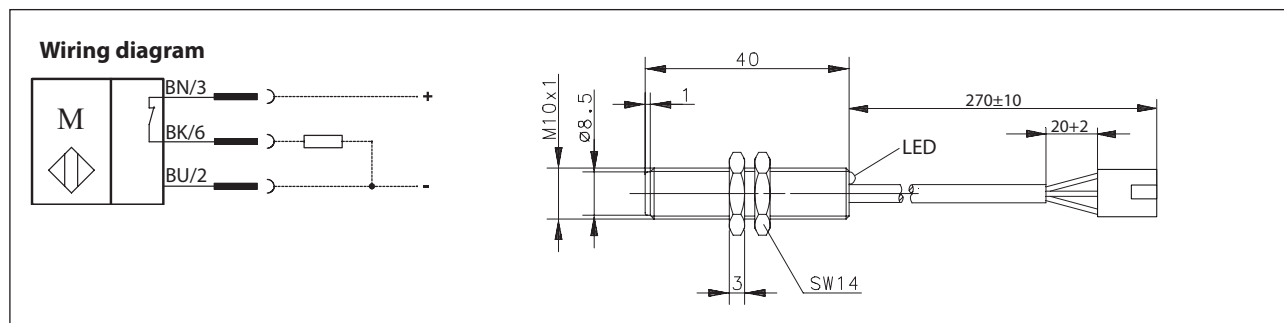


## Electronic Magnetic Sensors Series M10

Description **MEK-M10PÖ/H10-KL0,275**

Article number **6471161197**



### Identifying characteristics in accordance with EN 60947-5-2

Electrical data		
Magnetic sensitivity		typ. 10 mT (north activated)
Switching element function		PNP, N.C.
Repeat accuracy	R	≤ 0,1 mT (constant $U_b$ and ambient air temperature)
Differential travel (hysteresis)	H	typ. 5,5 mT
Operational voltage range	$U_b$	10 – 30 V DC
Voltage drop	$U_d$	< 3 V
Utilization category		DC-12
Rated operational current	$I_e$	≤ 200 mA
No-load supply current	$I_o$	< 20 mA (unactuated)
Switching element		Hall
Short-circuit protection		yes
Mounting		optional
False polarity protection		yes

Mechanical data	
Enclosure	PPE, red
Temperature range	- 10 °C ... + 70 °C (cable not fixed mounted) - 20 °C ... + 70 °C (cable fixed mounted)
Type of protection	IP 67 acc. to EN 60529 (sensor only)
Function indication	LED yellow, output indication / output activated
Termination type	Cable 3 x 0,14 mm <sup>2</sup> x 0,27 m, PUR - Outer jacket, with MOLEX Mini-Fit Jr. Receptacle Housing 39012060
Attachment	2 x Hexagon nut, brass, nickel-plated

EU Conformity	
	acc. to directive 2014/30/EU (EMC-Directive)