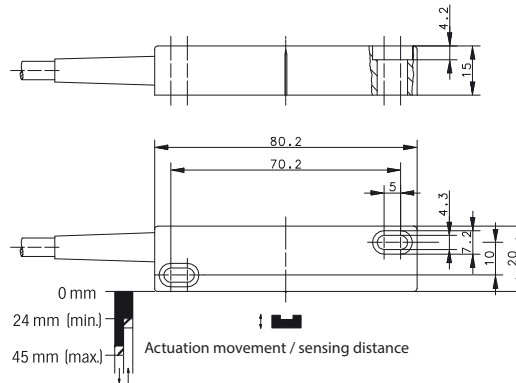
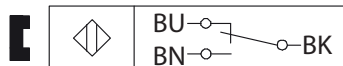


Magnetic Switch Series MA-12

Description **MAK-E80U/R90-0,25**

Article number **6416312667**

Wiring diagram



Identifying characteristics in accordance with EN 60947-5-2 and EN 62246-1

Electrical data		
Assured operating distance	S_a	24 mm
Output function		Switch-over
Max. switching voltage		250 V DC
Max. switching current		1,0 A
Max. switching capacity		60 VA
Min. switching capacity		3 VA
Mechanical lifetime		3 x 10 ⁸ switchings, however, according to the load resetability
Repeat accuracy	R	± 0,1 mm, under same geometrical conditions at the same temperature
Max. reset point		45 mm
Shock		10g (11 ms, ½ sine wave)
Vibration		15 g (50 – 2000 Hz)
Corresponding magnets		TK-21-12

Mechanical data	
Enclosure	PA6.6, red; encapsulated reed contact
Ambient air temperature	-5 °C ... +70 °C -20 °C ... +70 °C (cable fixed mounted)
Type of protection	IP 67 acc. to EN 60529
Termination type	Cable 3 x 0,5 mm ² x 0,25 m; PVC – Outer jacket, black
Assembly position	optional (assembly on iron means reduction of switch distance)

EU Conformity

acc. to directive 2006/95/EC

Notes

Pay attention to the contact protection when switching inductive loads.