

Technical Data

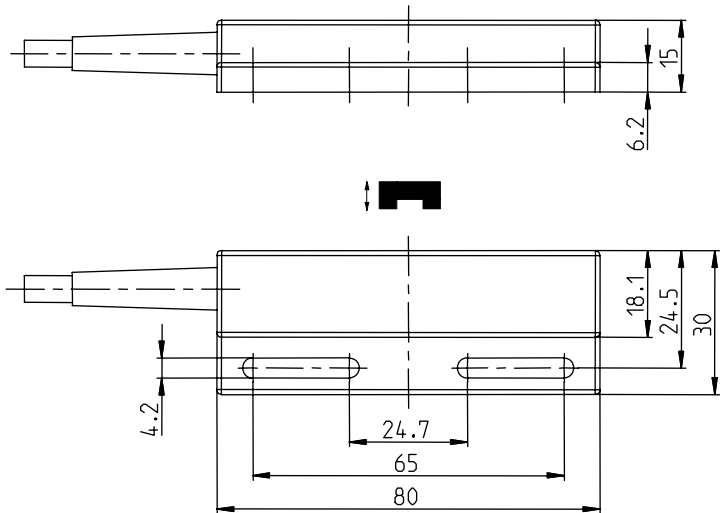
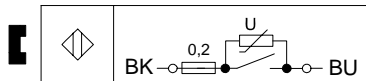
Magnetic switch

Series MA-44

Type designation **MAK-4412-F-1,0-SI-VDR**

Item number **6414244276**

Wiring diagram



Electrical data

Assured operating distance	S_a	19 mm
Switching element function		N.O.
Reed contact:		250 V
max. switching voltage		0,2 A (fuse)
max. switching current		100 VA
max. switching capacity		3×10^8 switchings, however, according to load resetability
mechanical lifetime		$\pm 0,1$ mm
Repeat accuracy	R	under same geometrical conditions at the same temperature
Shock		50 g (11 ms, $\frac{1}{2}$ Sine wave)
Vibration		35 g (10-1000 Hz)
Corresponding magnet		TK-44

Mechanical data

Enclosure	PA 6.6, black; encapsulated reed contact
Ambient air temperature	-5 °C ... +70 °C
Type of protection	IP67 according to IEC 529, EN 60529
Termination type	cable 2 x 0,5 mm ² 1 m, PVC -outer jacket; black
Assembly position	optional (assembly on iron means reduction of switch distance)

Pay attention to the contact protection when switching inductive loads.

This document will not become the contractual basis; the details included herein do not constitute any descriptions of expected conditions, so that warranties/claims for defects on account of possible variations of the actual from the here described condition are excluded. Subject to modifications and amendments.

Date of issue: 24.11.2008 / Page 1 of 1
Document: 6414244276_en.doc / Last update: 1 / 0461-08