

Magnetic Switch Series MA-33

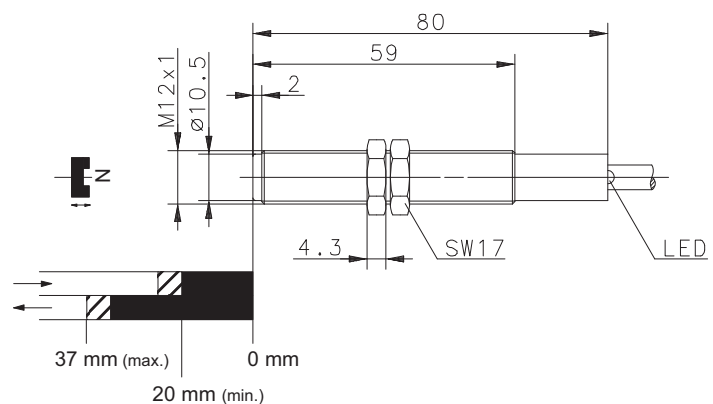
Description **MAK-3312-2-LED**

Article number **6411233355**

Wiring diagram



DC-operation: to LED light, connect black wire to voltage +.



Identifying characteristics in accordance with EN 60947-5-1 and EN 62246-1

Electrical data	
Output function	N.O.; switch function indicated by LED
Max. switching voltage	DC 10 ... 30 V
Max. switching current	500 mA
Continuous Current	2 - 100 mA
Max. switching	10 W
Voltage drop	< 4 V
Mechanical lifetime	3 x 10 ⁸ switchings
Repeat accuracy	R ± 0,1 mm, under same geometrical conditions at the same temperature
Operate time max.	0,7 ms (incl. bounce)
Release time max.	0,2 ms
Corresponding magnets	T-62N/S

Mechanical data	
Enclosure	PA6, red; encapsulated reed contact
Ambient air temperature	-5 °C ... +70 °C
Type of protection	IP 67 acc. to EN 60529
Termination type	Cable 2 x 0,5 mm ² x 2 m ± 5 %; PVC – Outer jacket, black
Assembly position	optional (assembly on iron means reduction of switch distance)