

Technical Data

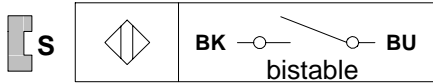
Magnetic Switch

Series MA-42

Type designation **MAK-4214-P-1,48-S**

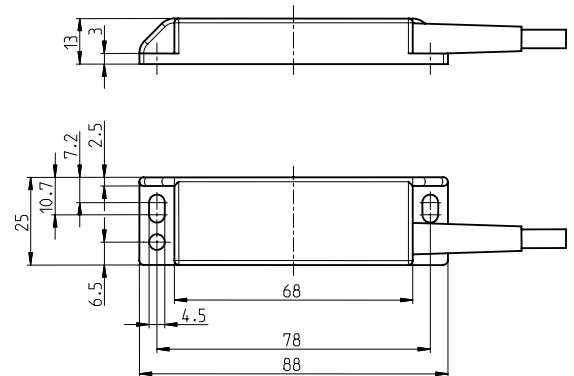
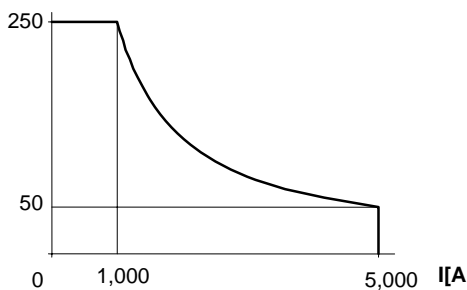
Item number **6410442569**

Wiring diagram

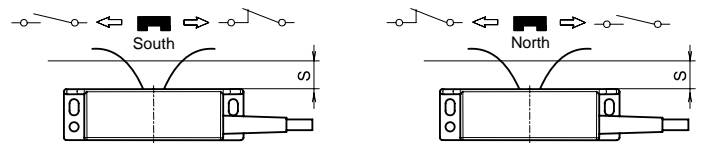
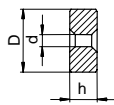


Switching Diagram

U[V] 250 VA



Magnet	T-62 N/S	T-69 N/S
S	2 ... 20 mm	5 ... 25 mm
Ø D	23,0 mm	23,0 mm
Ø d	4,4 mm	4,4 mm
h	10,0 mm	10,0 mm



Electrical data

Output function	bistable
Max. voltage	250 V
Max. switch current	5 A (2 ms)
Max. permanent limiting current	2,5 A
Max. switching	250 VA
Mechanical lifetime (reed contact)	3 x 10 ⁸ switchings, however, according to the load resetability
Repeat accuracy	R ± 0,1 mm, under same geometrical conditions at the same temperature

Mechanical data

Housing	PA 6.6, black; encapsulated reed contact
Ambient air temperature	-5 °C bis +70 °C movable condition -20 °C bis +70 °C unmovable condition
Type of protection	IP 67 according to IEC 529, EN 60529
Connection	Cable 2 x 0,5 mm ² x 1,48m; PVC – Outer jacket, black; with AMP Power Junior Timer Contact (AMP socket contact 929939)
Assembly position	optional (assembly on iron means reduction of switch distance)

This document will not become the contractual basis; the details included herein do not constitute any descriptions of expected conditions, so that warranties/claims for defects on account of possible variations of the actual from the here described condition are excluded. Subject to modifications and amendments.

Date of issue: 06.04.2006 / Page 1 von 1
Document : 6410442569_en/ Stand : 2 / 0216-06