

Technical Data

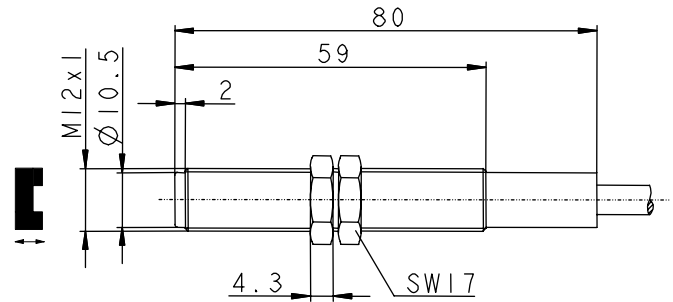
Magnetic switch

Series MA-33

Type designation **MAK-3314-P-2**

Item number **6410433350**

Wiring diagram



Electrical data

Assured operating distance	S_a	22 mm
Switching element function		bistable (north – on, south – off)
Reed contact:		
max. switching voltage		250 V
max. switching current		1,5 A
max. switching capacity		250 VA
mechanical lifetime		3×10^8 switchings, however, according to load resetability
Repeat accuracy	R	$\pm 0,1$ mm
Corresponding magnet		under same geometrical conditions at the same temperature T-62 N/S

Mechanical data

Enclosure	PA 6, red; encapsulated reed contact
Ambient air temperature	-5 °C ... +70 °C -25 °C ... +70 °C (cable fixed mounted)
Type of protection	IP67 (NEMA 4) according to IEC 529, EN 60529
Termination type	cable 2 x 0,5 mm ² x 2 m, PVC -outer jacket black
Assembly position	optional (assembly on iron means reduction of switch distance)

Pay attention to the contact protection when switching inductive and capacitive loads.

For attachment: 2 x hexagon nut

This document will not become the contractual basis; the details included herein do not constitute any descriptions of expected conditions, so that warranties/claims for defects on account of possible variations of the actual from the here described condition are excluded. Subject to modifications and amendments.

Date of issue: 21.11.2008 / Page 1 of 1
Document: 6410433350_en.doc / Last update: 1 / 0445-08