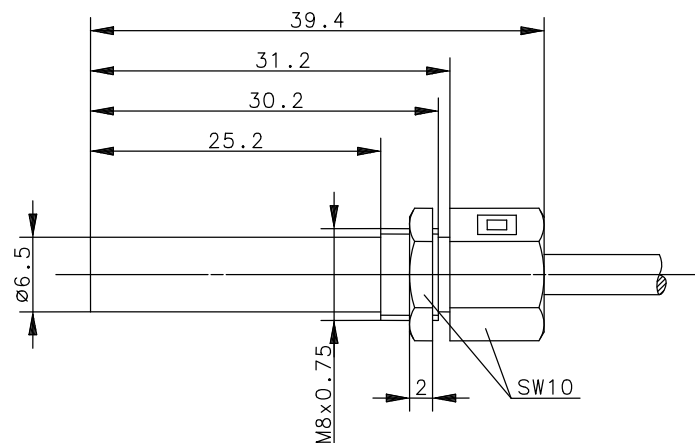


Magnetic Switch Series MA-46

Description **MAK-4613-3**

Article number **6410346678**

Wiring diagram



Identifying characteristics in accordance with EN 60947-5-1 and EN 62246-1

Electrical data	
Function test	in test adapter „R“; Fa. Eppensteiner
Output	Changeover
Max. switching impulse voltage	36 V
Max. switching impulse current	1,0 A
Max. switching capacity	20 VA
Mechanical lifetime	3 x 10 ⁸ switchings, however, according to the load resetability
Repeat accuracy	R ± 0,1 mm under same geometrical conditions at the same temperature
Shock	50 g (11 ms, ½ sine wave)
Vibration	30 g (50-2000 Hz)
Reference magnet	Customer magnet installed in test adapter

Mechanical data	
Enclosure	PA
Ambient air temperature	-5 °C ... +70 °C
Protection class	IP 65 acc. to EN 60529
Connection	Cable 3 x 0,14 mm ² x 3 m ± 5 %; PVC - outer jacket black
Installation position	operator definable (assembly on iron means reduction of switch distance)

EU Conformity	
acc. to directive 2004/108/EC	