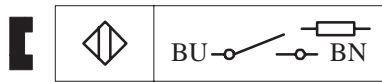
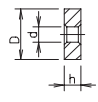
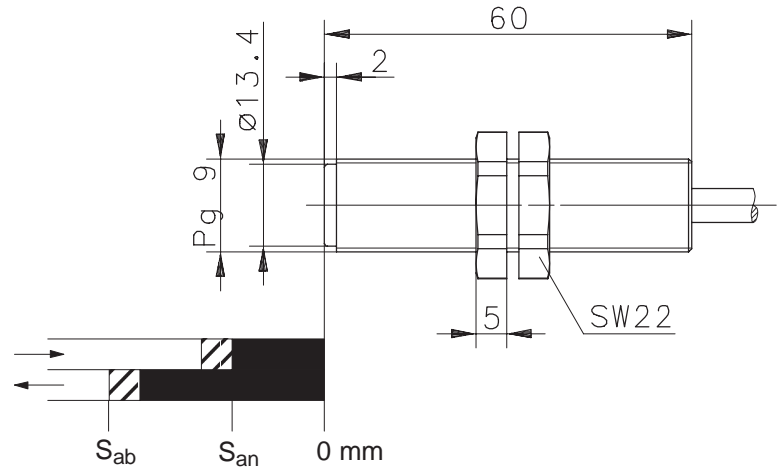


Wiring Diagram



| | |
|-----------------|----------|
| Magnet | T-62 N/S |
| S _{an} | 22 mm |
| S _{ab} | 40 mm |
| ∅ D | 23,0 mm |
| ∅ d | 4,4 mm |
| h | 10,0 mm |

Technical Data

| | | |
|---------------------|---|---|
| Max. Voltage | : | 30 V |
| Max. Switch Current | : | 0,5 A |
| Max. Switching | : | 10 VA; Please pay attention to the power range of the internal resistor. |
| R _i | : | 100 Ω ± 5 % |
| Mech. Lifetime | : | 3 x 10 ⁸ switchings, however, according to the load resetability |
| Repeat Accuracy | : | ± 0,1 mm under same geometrical conditions at the same temperature |
| Temperature range | : | -5 °C ... +70 °C |
| Protection | : | IP 67 according to IEC 529, EN 60529 (Nema 12) |
| Output function | : | N.O. with 100 Ω 250 mW series resistor |

Mechanical Features

| | | |
|-------------------|---|---|
| Housing | : | PA 6, red; encapsulated reed contact |
| Connection | : | Cable 2 x 0,5 mm ² x 2 m; PVC-Outer jacket, black (other lengths upon request) |
| Assembly position | : | optional (assembly on iron means reduction of switch distance) |

Pay attention to the contact protection when switching inductive loads.