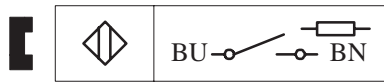
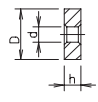
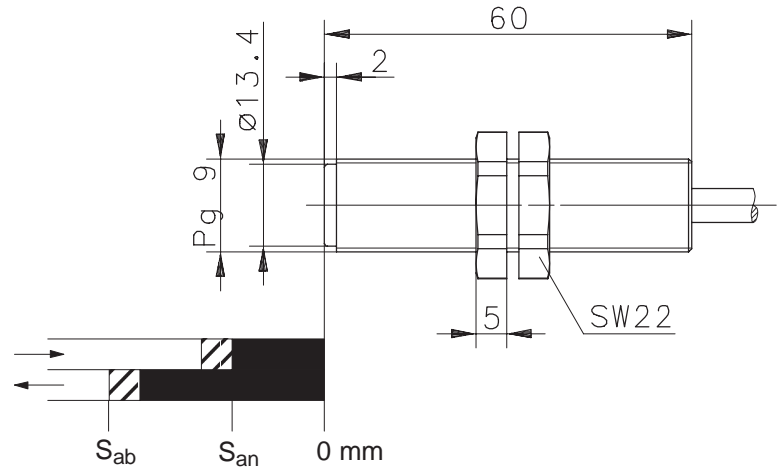


Wiring Diagram



Magnet	T-62 N/S
S _{an}	22 mm
S _{ab}	40 mm
∅ D	23,0 mm
∅ d	4,4 mm
h	10,0 mm

Technical Data

Max. Voltage	:	30 V
Max. Switch Current	:	0,5 A
Max. Switching	:	10 VA; Please pay attention to the power range of the internal resistor.
R _i	:	100 Ω ± 5 %
Mech. Lifetime	:	3 x 10 ⁸ switchings, however, according to the load resetability
Repeat Accuracy	:	± 0,1 mm under same geometrical conditions at the same temperature
Temperature range	:	-5 °C ... +70 °C
Protection	:	IP 67 according to IEC 529, EN 60529 (Nema 12)
Output function	:	N.O. with 100 Ω 250 mW series resistor

Mechanical Features

Housing	:	PA 6, red; encapsulated reed contact
Connection	:	Cable 2 x 0,5 mm ² x 3 m; PVC-Outer jacket, black (other lengths upon request)
Assembly position	:	optional (assembly on iron means reduction of switch distance)

Pay attention to the contact protection when switching inductive loads.