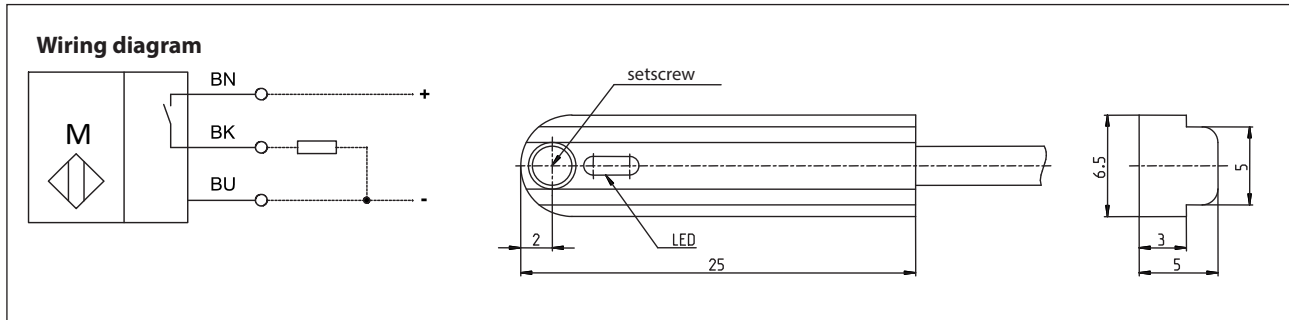


Magnetic Switch Series E30

Description **MEA-E30PS/H03-KL2**

Article number **6372299150**



Identifying characteristics in accordance with EN 60947-5-2

Electrical data	
Magnetic sensitivity	typ. 3 mT (south switching)
Switching element function	DC, N.O., open collector
Repeat accuracy	R ≤ 0,1 mT (constant U_B and ambient air temperature)
Differential travel (hysteresis)	H 0,8 mT
Operational voltage range	U_B 10 – 30 V DC
Rated insulation voltage	U_i 75 V DC
Voltage drop	U_d < 2 V @ 50 mA
Utilization category	DC-12
Rated operational current	I_e ≤ 50 mA
Leakage current	< 25 μ A
No-load supply current	I_o < 10 mA (not actuated)
Rated conditional short-circuit current	100 A
Switching element	Hall
Short-circuit protection	pulsed
Mounting	from side T-Groove
False polarity protection	yes

Electromagnetic compatibility (EMC)	
Electromagnetic field test	IEC 61000-4-3
Electrostatic discharge test	IEC 61000-4-2
Electrical fast transient immunity test (Burst)	IEC 61000-4-4
Conducted disturbances, inducted by high frequency electromagnetic fields	IEC 61000-4-6
Radiated disturbance field strength	EN 55011

Mechanical data	
Enclosure	AlMgSi0,5 (Aluminium)
Ambient air temperature	-20 °C ... +80 °C (cable fixed mounted)
Type of protection	IP 67 acc. to EN 60529
Function indication	LED yellow, output indication / output activated
Termination type	Cable 3 x 0,05 mm ² x 2 m ± 5 %, PUR - Outer jacket, black
Attachment	1 x setscrew M3 x 6 - A2-70

EU Conformity	
	acc. to directive 2004 / 108 / EC