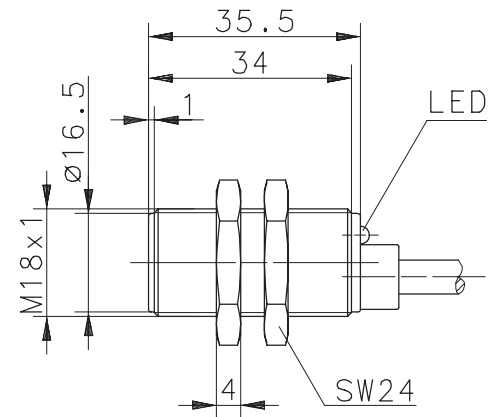
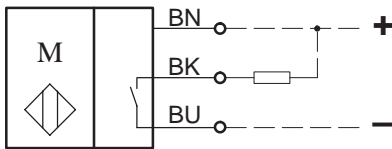


Type: **MEM-63NN2-10.4-2/KL**

Part.-No.: **637.1663.072**

Wiring Diagram



			min.	typ.	max.
Operate point	[mT]	B _{OP}	+3,0	+10,0	+17,5
Release point	[mT]	B _{RP}	+1,0	+4,5	+14,5
Hysteresis	[mT]	B _H	2,0	5,5	8,0

(-) South (+) North

1. Operating Data

operational voltage range U_B : DC 10 ... 30 V; supply reversal protection
non-load supply current : < 20 mA

2. Output Data

electrical output : 3 – wire, NPN
rated operational current I_e : 400 mA, short circuit protection
voltage drop U_d : < 3 V
output function : NPN, N.O.; actuated by northpole

3. Operating and Ambient Conditions

temperature range : -20 °C up to +70 °C
protection : IP 67 to IEC 529, EN 60529 (NEMA 4)
housing : CuZn39Pb3, nickel plated
connection : Cable 3 x 0,34 mm² x 2 m; PUR-Outer jacket, black (other lengths upon request)
indication : LED yellow, output indication / switched position