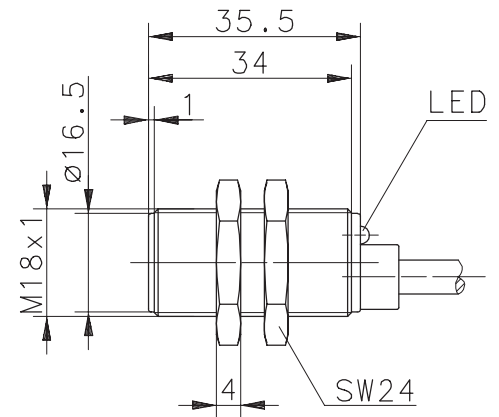
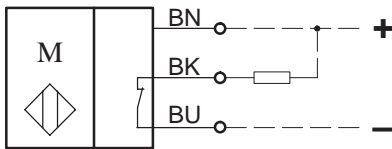




Type: **MEM-63NN1-10.4-2/KL**

Part.-No.: **637.1563.071**

Wiring Diagram



			min.	typ.	max.
Operate point	[mT]	B <sub>OP</sub>	+3,0	+10,0	+17,5
Release point	[mT]	B <sub>RP</sub>	+1,0	+4,5	+14,5
Hysteresis	[mT]	B <sub>H</sub>	2,0	5,5	8,0

(-) South (+) North

**1. Operating Data**

operational voltage range                    U<sub>B</sub> : DC 10 ... 30 V; supply reversal protection  
non-load supply current                        : < 20 mA

**2. Output Data**

electrical output                                : 3 – wire, NPN  
rated operational current                       I<sub>e</sub> : 400 mA, short circuit protection  
voltage drop                                        U<sub>d</sub> : < 3 V  
output function                                    : NPN, N.C.; actuated by northpole

**3. Operating and Ambient Conditions**

temperature range                                : -20 °C up to +70 °C  
protection    : IP 67 to IEC 529, EN 60529 (NEMA 4)  
housing    : CuZn39Pb3, nickel plated  
connection    : Cable 3 x 0,34 mm<sup>2</sup> x 2 m; PUR-Outer jacket, black (other lengths upon request)  
indication     : LED yellow, output indication / switched position