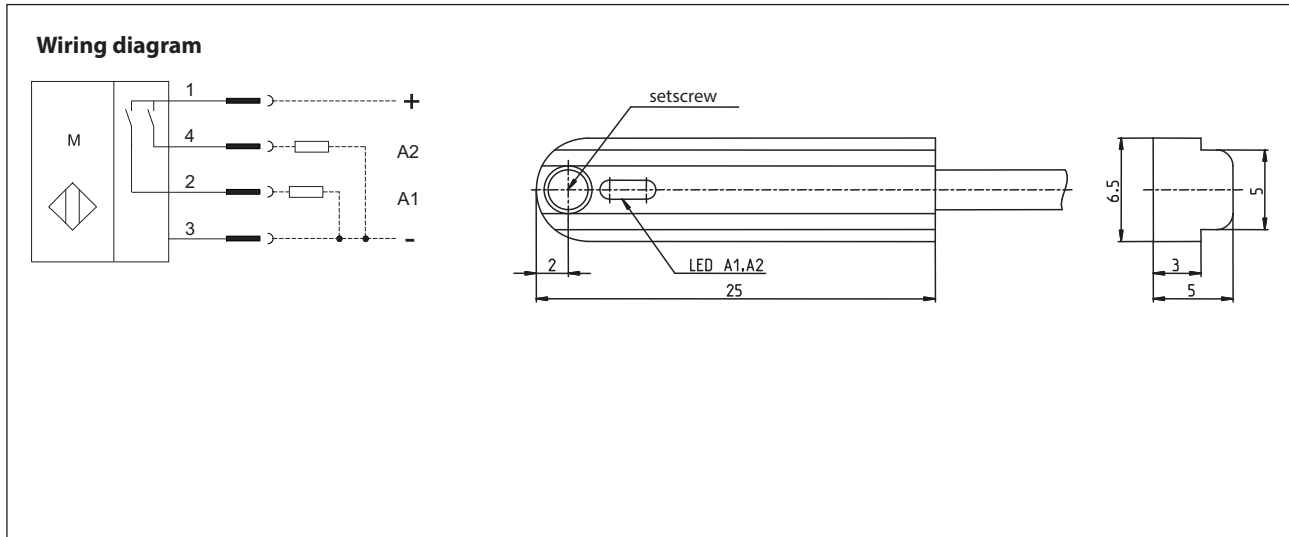


## Magnetic Switch Series E30

Description **MEA-E30PS/HP-KL0,3S**

Article number **6370299143**



### Identifying characteristics in accordance with EN 60947-5-2

Electrical data	
Magnetic sensitivity	$\pm 1,5 \text{ mT} \dots \pm 13,5 \text{ mT}$
Switching element function	DC, N.O., open collector, 2 switching points programmable
Repeat accuracy	R $\leq 0,1 \text{ mT}$ (constant $U_B$ and ambient air temperature)
Differential travel (hysteresis)	H $1 \text{ mT} \leq H \leq 1,35 \text{ mT}$
Operational voltage range	$U_B$ 10 – 30 VDC
Rated insulation voltage	$U_i$ 75 VDC
Voltage drop	$U_d$ $< 2 \text{ V}$ @ 50 mA
Utilization category	DC-12
Rated operational current	$I_e$ $\leq 50 \text{ mA}$ (one output activated) $\leq 25 \text{ mA}$ per output (both outputs activated)
Leakage current	$< 25 \mu\text{A}$
No-load supply current	$I_o$ $< 10 \text{ mA}$ (not actuated)
Rated conditional short-circuit current	100 A
Switching element	Hall
Short-circuit protection	pulsed
Mounting	from side T-Groove
False polarity protection	yes

<b>Electromagnetic compatibility (EMC)</b>	
Electromagnetic field test	IEC 61000-4-3
Electrostatic discharge test	IEC 61000-4-2
Electrical fast transient immunity test (Burst)	IEC 61000-4-4
Conducted disturbances, inducted by high frequency electromagnetic fields	IEC 61000-4-6
Radiated disturbance field strength	EN 55011

<b>Mechanical data</b>	
Enclosure	AlMgSi0,5 (Aluminium)
Ambient air temperature	-20°C ... +80°C (cable fixed mounted)
Type of protection	IP 67 acc. to EN 60529 (only in fully locked position with it's plugs)
Function indication	Output A1 Output A2
	LED orange, output indication / output activated LED yellow, output indication / output activated
Termination type	Cable 0,3 m ±5 %, PUR - Outer jacket, black; with plug connector M8
Attachment	1 x setscrew M3 x 6 - 45H, DIN 913 1 x programming tool

<b>EU Conformity</b>	acc. to directive 2004 / 108 / EC
----------------------	-----------------------------------

<b>Product reliability (in acc. with DIN EN 61709 (SN 29500))</b>	
MTTF (at 40 °C)	> 1450 years