

Technical Data

Magnetic proximity sensor

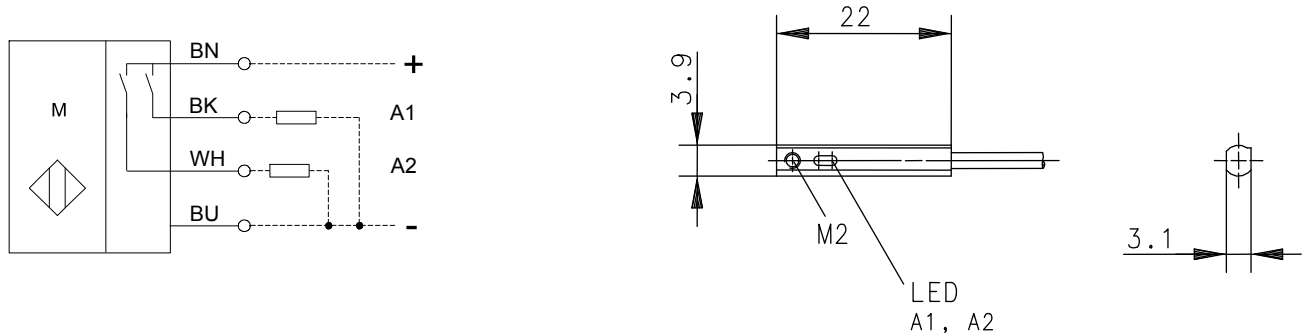


Series E22

Type designation **MEK-E22PS/HP2-KL2-EX**

Item number **6370281152**

Wiring diagram



Identifying characteristics in accordance with EN 60947-5-2

Electrical data

Magnetic sensitivity		$\pm 1,5 \text{ mT} \dots \pm 13,5 \text{ mT}$
Switching element function		DC, N.O., open collector, 2 switching points programmable
Repeat accuracy	R	$\leq 0,1 \text{ mT}$ (constant U_B and ambient air temperature)
Differential travel (hysteresis)	H	$1 \text{ mT} \leq H \leq 1,35 \text{ mT}$
Operational voltage range	U_B	10 - 30 VDC
Rated insulation voltage	U_i	75 VDC
Voltage drop	U_d	$< 2 \text{ V} @ 50 \text{ mA}$
Utilization category		DC-12
Rated operational current	I_e	$\leq 50 \text{ mA}$ (1 output activated) $\leq 25 \text{ mA}$ per output (both outputs activated)
Leakage current		$< 25 \mu\text{A}$
No-load supply current	I_o	$< 10 \text{ mA}$ (not activated)
Rated conditional short-circuit current		100 A
Switching element		Hall
Short-circuit protection		pulsed
Mounting		from side or top into a C-Groove
False polarity protection		yes

Electromagnetic compatibility (EMC)

Electromagnetic field test	IEC 61000-4-3
Electrostatic discharge test	IEC 61000-4-2
Electrical fast transient immunity test (Burst)	IEC 61000-4-4
Conducted disturbances, inducted by high frequency electromagnetic fields	IEC 61000-4-6
Radiated disturbance field strength	EN 55011

Mechanical Data

Enclosure		GV-5H (PA), black
Ambient air temperature		$-20 \text{ }^\circ\text{C} \dots +80 \text{ }^\circ\text{C}$ (cable fixed mounted)
Type of protection		IP 67 acc. to IEC 529, EN 60529
Function indication	Output A1	LED orange, output indication / output activated
	Output A2	LED yellow, output indication / output activated
Termination type		Cable 4 x 0,05 mm ² x 2 m $\pm 5 \%$, PUR - Outer jacket, black
Attachment		1 x setscrew M2 x 3, DIN 913 1 x allen wrench 1 x programming tool

EU Conformity

acc. to EMC Directive 2004/108/EC

This document will not become the contractual basis; the details included herein do not constitute any descriptions of expected conditions, so that warranties/claims for defects on account of possible variations of the actual from the here described condition are excluded. Subject to modifications and amendments.

Date of issue: 25.04.2012 / Page 1 of 2
Document: 6370281152_en / Last update: 1 / 0144-09

Technical Data

Magnetic proximity sensor



Label

ATEX

II 2 G Ex mb II T6

II 2 D Ex tD A21 IP67 T85°C

Approvals

KEMA 08ATEX0130 X

This document will not become the contractual basis; the details included herein do not constitute any descriptions of expected conditions, so that warranties/claims for defects on account of possible variations of the actual from the here described condition are excluded. Subject to modifications and amendments.

Date of issue: 25.04.2012 / Page 2 of 2
Document: 6370281152_en / Last update: 1 / 0144-09