

# Technical Data

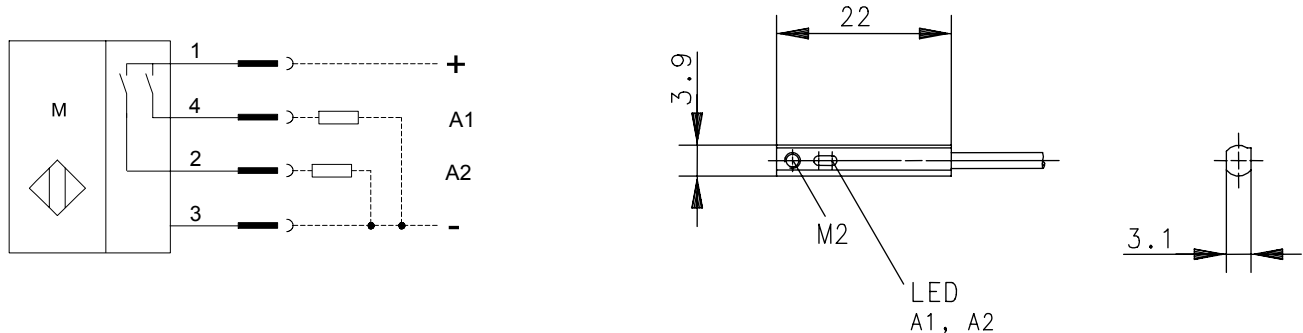
## Magnetic proximity sensor

### Series E22

Type designation **MEK-E22PS/HP-KL0,3S**

Item number **6370281110**

#### Wiring diagram



#### Identifying characteristics in accordance with EN 60947-5-2

##### Electrical data

Magnetic sensitivity		$\pm 1,5 \text{ mT} \dots \pm 13,5 \text{ mT}$
Switching element function		DC, N.O., open collector, 2 switching points programmable
Repeat accuracy	R	$\leq 0,1 \text{ mT}$ (constant $U_B$ and ambient air temperature)
Differential travel (hysteresis)	H	$1 \text{ mT} \leq H \leq 1,35 \text{ mT}$
Operational voltage range	$U_B$	10 - 30 VDC
Rated insulation voltage	$U_i$	75 VDC
Voltage drop	$U_d$	$< 2 \text{ V} @ 50 \text{ mA}$
Utilization category		DC-12
Rated operational current	$I_e$	$\leq 50 \text{ mA}$ (1 output activated) $\leq 25 \text{ mA}$ per output (both outputs activated)
Leakage current		$< 25 \mu\text{A}$
No-load supply current	$I_o$	$< 10 \text{ mA}$ (not activated)
Rated conditional short-circuit current		100 A
Switching element		Hall
Short-circuit protection		pulsed
Mounting		from side or top into a C-Groove
False polarity protection		yes

##### Electromagnetic compatibility (EMC)

Electromagnetic field test	IEC 61000-4-3
Electrostatic discharge test	IEC 61000-4-2
Electrical fast transient immunity test (Burst)	IEC 61000-4-4
Conducted disturbances, inducted by high frequency electromagnetic fields	IEC 61000-4-6
Radiated disturbance field strength	EN 55011

##### Mechanical Data

Enclosure		GV-5H (PA), black
Ambient air temperature		$-20 \text{ }^\circ\text{C} \dots +80 \text{ }^\circ\text{C}$ (cable fixed mounted)
Type of protection		IP 67 acc. to IEC 529, EN 60529 (only in fully locked position with it's plugs)
Function indication	Output A1	LED orange, output indication / output activated
	Output A2	LED yellow, output indication / output activated
Termination type		Cable 0,3 m, PUR-Outer jacket, black; with plug connector M8
Attachment		1 x setscrew M2 x 3, DIN 913 1 x allen wrench 1 x programming tool

##### EU Conformity



This document will not become the contractual basis; the details included herein do not constitute any descriptions of expected conditions, so that warranties/claims for defects on account of possible variations of the actual from the here described condition are excluded. Subject to modifications and amendments.

Date of issue: 24.02.2009 / Page 1 of 1  
Document: 6370281110\_en.doc / Last update: 4 / 0089-09