

Technical Data

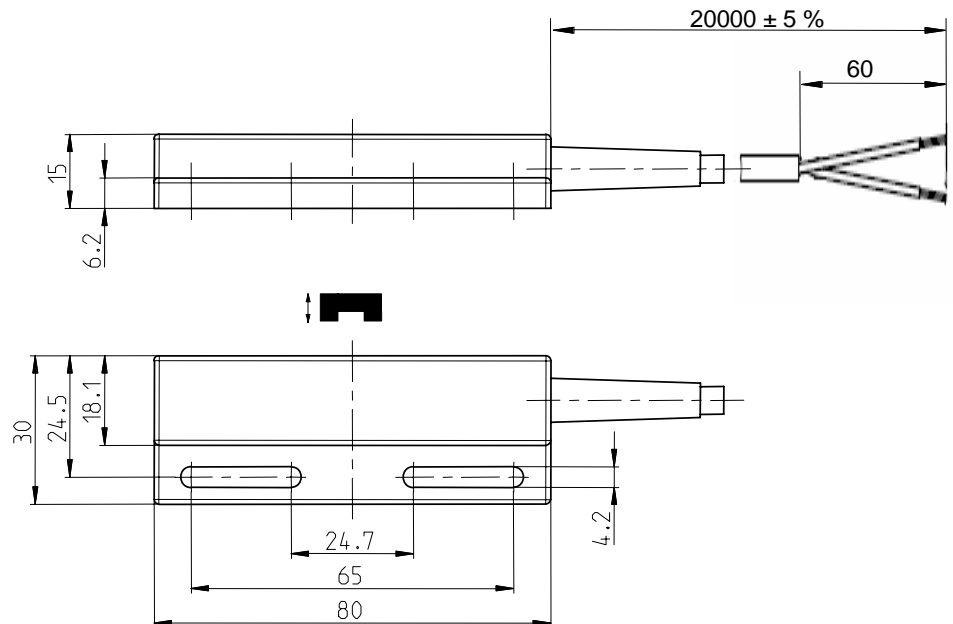
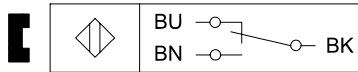
Magnetic switch

Series MA-44

Type designation **MAK-4413-M-20**

Item number **6317344663**

Wiring diagram



Identifying characteristics in accordance with EN 60947-5-1 and EN 62246-1

Electrical data

Assured operating distance	S_a	22 mm
Switching element function		change over
Reed contact:		
max. switching voltage		250 V
max. switching current		1 A
max. switching capacity		80 VA
mechanical lifetime		3×10^8 switchings, however, according to load resetability
Repeat accuracy	R	± 0,1 mm
Max. Release point		under same geometrical conditions at the same temperature
Max. Release point		50 mm
Shock		50 g (11 ms, ½ Sine wave)
Vibration		35 g (10-1000 Hz)
Corresponding magnet		TK-44

Mechanical data

Enclosure	PA 6.6, black; encapsulated reed contact
Ambient air temperature	-5 °C ... +70 °C
Type of protection	IP67 (NEMA 4) according to IEC 529, EN 60529
Termination type	cable 3 x 0,5 mm ² , PVC -outer jacket black
Assembly position	optional (assembly on iron means reduction of switch distance)

EU Conformity

acc. to Directive 2006 / 95 / EC

Pay attention to the contact protection when switching inductive loads.

This document will not become the contractual basis; the details included herein do not constitute any descriptions of expected conditions, so that warranties/claims for defects on account of possible variations of the actual from the here described condition are excluded. Subject to modifications and amendments.

Date of issue: 13.04.2011 / Page 1 of 1
Document: 6317344663_en.doc / Last update: 1 / 0214-11