

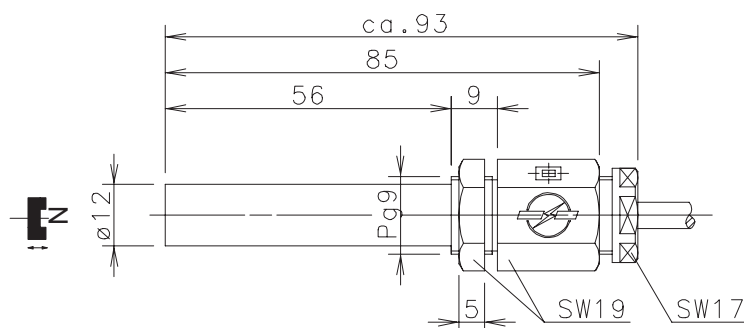
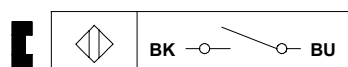
Magnetic Switch

Series MAK-26

Description **MAK-2612-F-1**

Article number **6314226423**

Wiring diagram



Technical data

Switching function	N.O.
Reference magnet	T-62 N/S (6301262039)
Assured operating distance - ON	S_{ao} 7 mm
Assured operating distance - OFF	S_{ar} 28 mm
Repeat accuracy	R $\pm 0,1$ mm, under same geometrical conditions at the same temperature
Utilization category	DC-12

Electrical data

Max. voltage	250 V AC/DC
Max. switching current	3,0 A
Max. switching capacity	100 VA
Protection class acc. to EN 61140	II (totally insulated)
Note	Combinations of switching voltage and switching current must not exceed the maximum switching capacity.

Mechanical data

Enclosure	PA 6, red
Temperature range	-5 °C ... +70 °C -20 °C ... +70 °C (fixed cable)
Mechanical life	3 x 10 ⁸ operating cycles
Protection type	IP67 acc. EN 60529
Termination type	Cable 2 x 0,5 mm ² x 1 m ± 5 %; PVC-outer jacket black
Assembly position	optional (assembly on ferromagnetic material means reduction of switch distance)
Fixing accessories	1 x hexagon nut, POM

Standards

EN 60947-5-1

EN 62246-1

EU Conformity

acc. to directive 2014/35/EU (Low-Voltage-Directive)

Notes

Contact protection must be provided for inductive and capacitive loads.