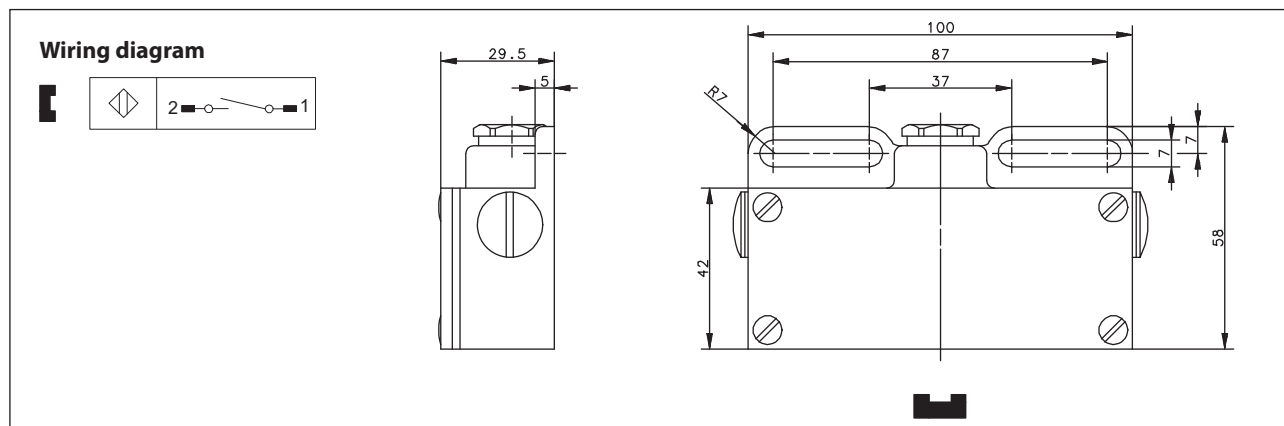


## Magnetic Switch Series MA-03

Description **MAA-0312-F**

Article number **6314203232**



Identifying characteristics in accordance with EN 60947-5-1 and EN 62246-1

Electrical data	
Switching element function	N.O.
Assured operating distance	S 20 mm
Max. Release point	45 mm
Reference magnet	TA-31
Max. switching voltage	250 V
Max. switching current	3 A
Max. switching capacity	120 VA
Mechanical lifetime	3x10 <sup>8</sup> switchings, however, according to load resetability
Repeat accuracy	R ± 0,1 mm under same geometrical conditions at the same temperature
Shock	50 g ( 11 ms, ½ sine wave )
Vibration	35 g (10 - 1000 Hz)

Mechanical data	
Enclosure	GK-ALSi12 (Aluminium), with PG11 cable inlets and 2 x pegs (PG9)
Ambient air temperature	-25 °C ... +70 °C
Type of protection	IP65 according to IEC 529, EN 60529
Termination type	Screw terminals for wires ≤1,5 mm <sup>2</sup>
Assembly position	optional (assembly on iron means reduction of switch distance)

EU Conformity	
acc. to directive 2006 / 95 / EC	

Pay attention to the contact protection when switching inductive loads.