

Technical Data

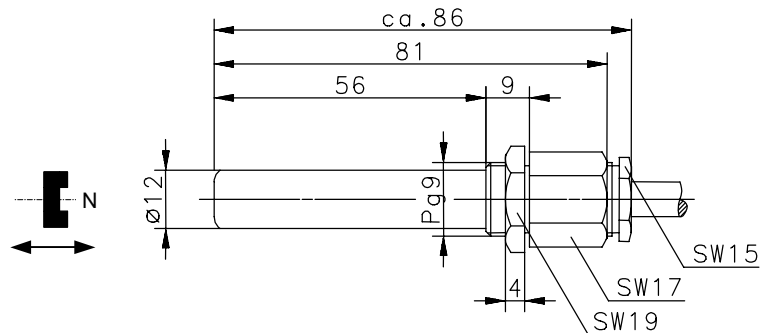
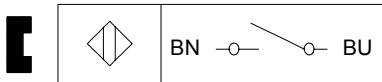
Magnetic switch

Series MA-06

Type designation **MAA-0612-D-1**

Item number **6312206321**

Wiring diagram



Electrical data

Assured operating distance	S _a	18mm
Switching element function		Make function
Reed contact:		
max. switching voltage		250V
max. switching current		0,5A
max. switching capacity		30VA
mechanical lifetime		3 x 10 ⁸ switchings, however, according to load resetability
Repeat accuracy	R	± 0,1mm
		under same geometrical conditions at the same temperature
Release point		28 mm
Shock		50 g, 11 ms
Vibration		50 ... 500 Hz
Corresponding magnet		T-62 N/S

Mechanical data

Enclosure	Al; encapsulated reed contact
Ambient air temperature	-5° C ... +70° C
Type of protection	IP67 (NEMA 4) according to IEC 529, EN 60529
Termination type	cable 3 x 0,75 mm ² x 1m; PVC-outer jacket black
Assembly position	optional (assembly on iron means reduction of switch distance)
Fixing accessories	1 x hexagon nut

This document will not become the contractual basis; the details included herein do not constitute any descriptions of expected conditions, so that warranties/claims for defects on account of possible variations of the actual from the here described condition are excluded. Subject to modifications and amendments.

Date of issue: 16.03.2005 / Page 1 of 1
 Document: 6312206321_en / Last update: 1 / 0205-05