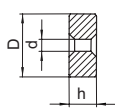


Magnetic Switch Series MA-42

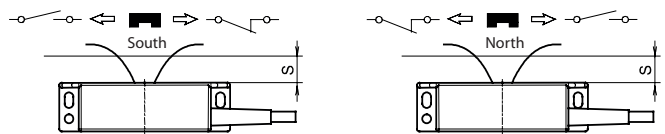
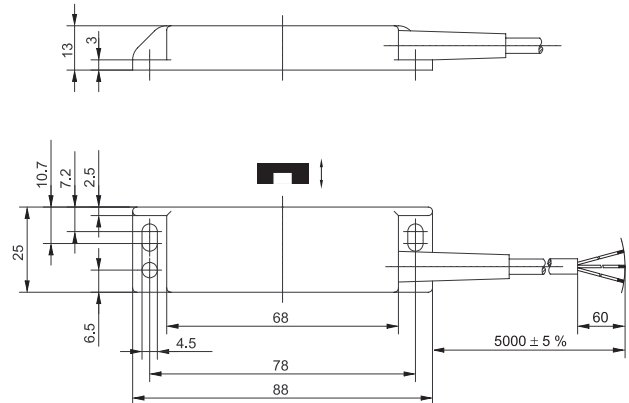
Description **MAK-E90B/R-5**

Article number **6310442749**

Wiring diagram



Magnet	T-62 N/S
S	2 ... 20 mm
D	23,0 mm
d	4,4 mm
h	10,0 mm



Identifying characteristics in accordance with EN 60947-5-2 and EN 62246-1

Electrical data

Output	bistable
Max. voltage	250 V _{AC} , 250 V _{DC}
Max. switch current	5 A
Max. switching	250 VA
Mechanical lifetime	3 x 10 ⁸ switchings
Repeat accuracy	R 0,1 x S under same geometrical conditions at the same temperature

Mechanical data

Enclosure	PA6.6, black; encapsulated reed contact
Ambient air temperature	-5 °C bis +70 °C movable condition -20 °C bis +70 °C unmovable condition
Protection class	IP 67 acc. to EN 60529
Connection	Cable 2 x 0,5 mm ² ; PVC - Outer jacket, black
Assembly position	optional (assembly on iron means reduction of switch distance)

EU Conformity

acc. to directive 2014/35/EU (Low-Voltage-Directive)