

Magnetic Switch Series MA-E90

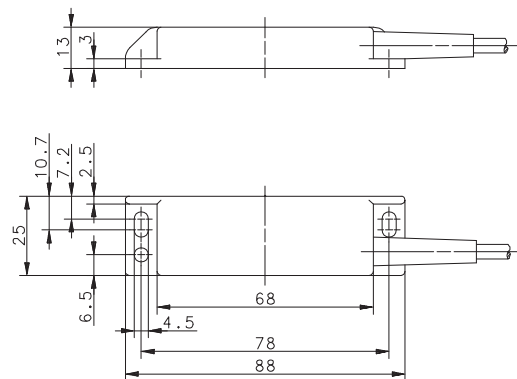
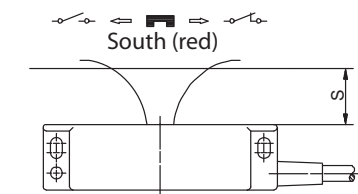
Description **MAK-E90B/R120-5**

Article number **6310442748**

Wiring diagram



Magnet	T-62 N/S	T-69 N/S
S	2...20 mm	5...25mm
∅ D	23,0 mm	31,0 mm
∅ d	4,4 mm	5,3 mm
h	10,0 mm	15,0 mm



Identifying characteristics in accordance with EN 60947-5-1 and EN 62246-1

Electrical data	
Output function	bistabile
Max. switching voltage	250 V
Max. switching current	5 A (2 ms)
Max. permanent limiting current	2,5 A
Max. switching capacity	250 VA
Mechanical lifetime	3 x 10 ⁸ switchings
Repeat accuracy	R ± 0,1 mm, under same geometrical conditions at the same temperature
Corresponding magnet	T-62

Mechanical data	
Enclosure	PA6.6, black; encapsulated reed contact
Ambient air temperature	-5 °C to +70 °C
Type of protection	IP 67 acc. to EN 60529
Termination type	Cable 2 x 0,5 mm ² x 5 m; PVC – Outer jacket, black (other lengths upon on requests)
Assembly position	optional (assembly on iron means reduction of switch distance)

EU Conformity	
acc. to directive 2014/35/EU (Low-Voltage-Directive)	

Notes	
Pay attention to the contact protection when switching inductive loads.	