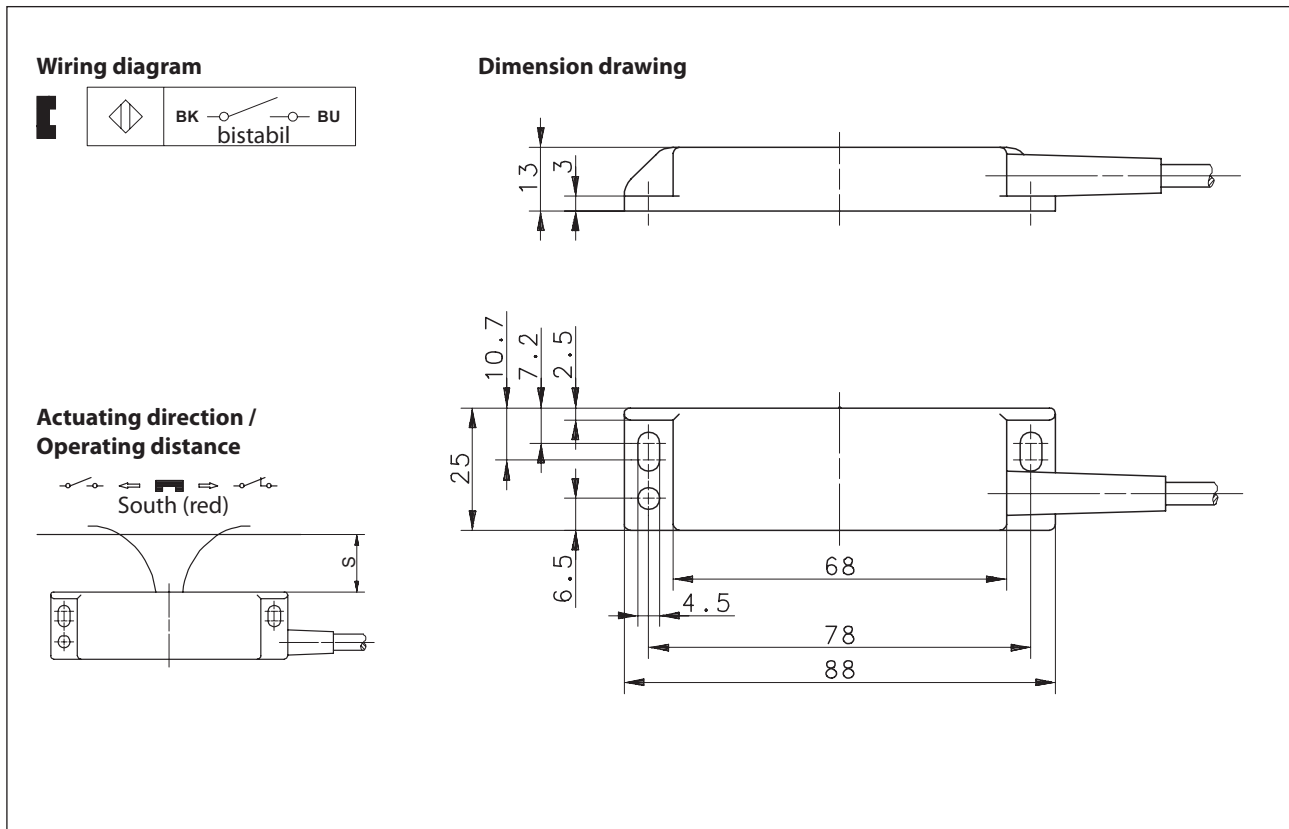


Magnet Switch Series MAK-42

Description **MAK-4214-P-9,5**

Article number **6310442631**



Technical data			
Switching function		bistable "N.O.-N.C."	
Reference magnet		T-62 N/S (6301262039)	T-69 N/S (6301269031)
Assured operating distance	S_{ao}	2 - 20 mm	5 - 25 mm
Repeat accuracy	R	$\pm 0,1$ mm, under same geometrical conditions at the same temperature	
Utilization category		DC-12	

Electrical data	
Max. voltage	250 V
Max. switching current	2,5 A
Max. switching capacity	250 VA
Note	Combinations of switching voltage and switching current must not exceed the maximum switching capacity.

Mechanical data	
Enclosure	PA6.6, black (encapsulated reed contact)
Temperature range	- 5 °C ... + 70 °C (cable not fixed mounted) - 25 °C ... + 70 °C (cable fixed mounted)
Protection type	IP 67 acc. to EN 60529
Termination type	Cable 2 x 0,5 mm ² x 9,5 m; PVC -outer jacket black
Assembly position	optional (assembly on ferromagnetic material means reduction of switch distance)

Standards	
	EN 60947-5-1
	EN 62246-1

EU Conformity	
	acc. to directive 2014/35/EU (Low-Voltage-Directive)

Notes	
Contact protection must be provided for inductive and capacitive loads.	