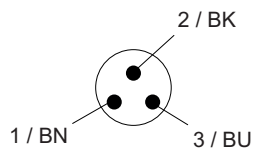
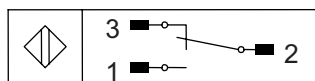


Magnetic Switch Series MAN-08

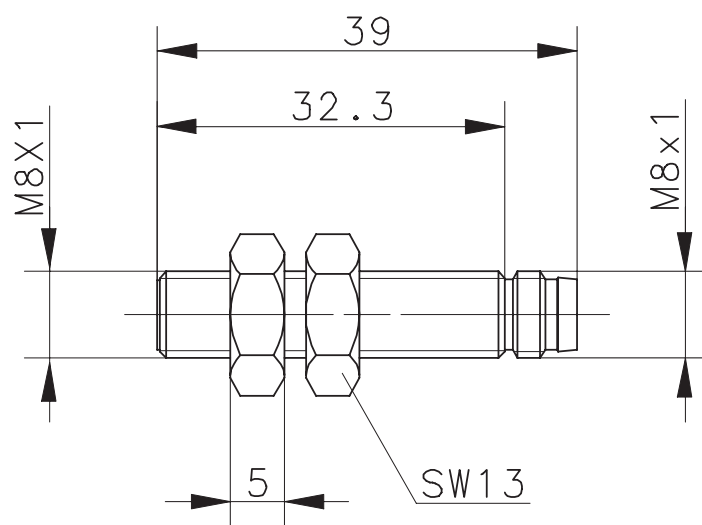
Description **MAN-0813-D-M8**

Article number **6310308740**

Wiring diagram




in use with
BERNSTEIN-junction-box



Technical data

Switching function	Switch-Over
Reference magnet	T-62 N/S (6301262039)
Assured operating distance - ON	$S_{ao} \geq 29 \text{ mm}$
Assured operating distance - OFF	$S_{ar} \leq 40 \text{ mm}$
Repeat accuracy	R $\pm 0,1 \text{ mm}$, under same geometrical conditions at the same temperature
Utilization category	DC-12


Electrical data

max. switching voltage	50 V AC / 120 V DC (PELV / SELV power pack)
max. switching current	280 mA AC / 400 mA DC
max. switching capacity	5 VA
Protection class acc. EN IEC 61558	 III (Safety Extra Low Voltage (SELV))
Note	Combinations of switching voltage and switching current must not exceed the maximum switching capacity.

Mechanical data	
Enclosure	CuZn39Pb3
Front cap	PA6, black
Ambient air temperature	-5 °C ... +70 °C
Mechanical lifetime	3 x 10 ⁸ switchings
Protection class	IP65 acc. EN 60529 (only in fully snapped-in position with it's plugs)
Connection	Connector M8x1
Installation position	optional (assembly on iron means reduction of switch distance)
Pollution degree	2 x hexagon nut, brass nickel-plated

Standards	
	EN 60947-5-1
	EN 62246-1

EU Conformity	
	acc. to directive 2011/65/EU (RoHS-directive)

Approvals	
	Note limited electrical data:
	max. switching voltage 30 V AC / 60 V DC
	max. switching current 0,25 A
	max. switching capacity 5 VA