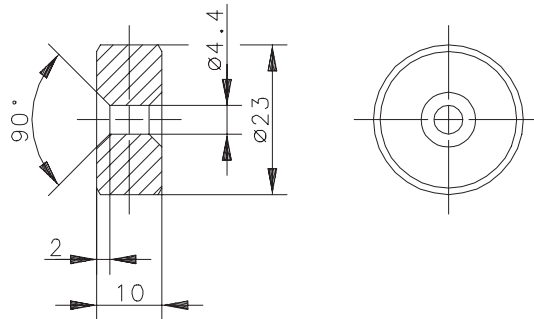


Magnetic Switch

Switching magnet

Description **T-62 N(GN)/S(RT)**

Article number **6301162084**



Mechanical data

Magnet	Hartferrit 24/16; axial magnetisation; marking on the south pole side red; marking on the north pole side green
Ambient air temperature	-20 °C ... +80 °C
Application	general use