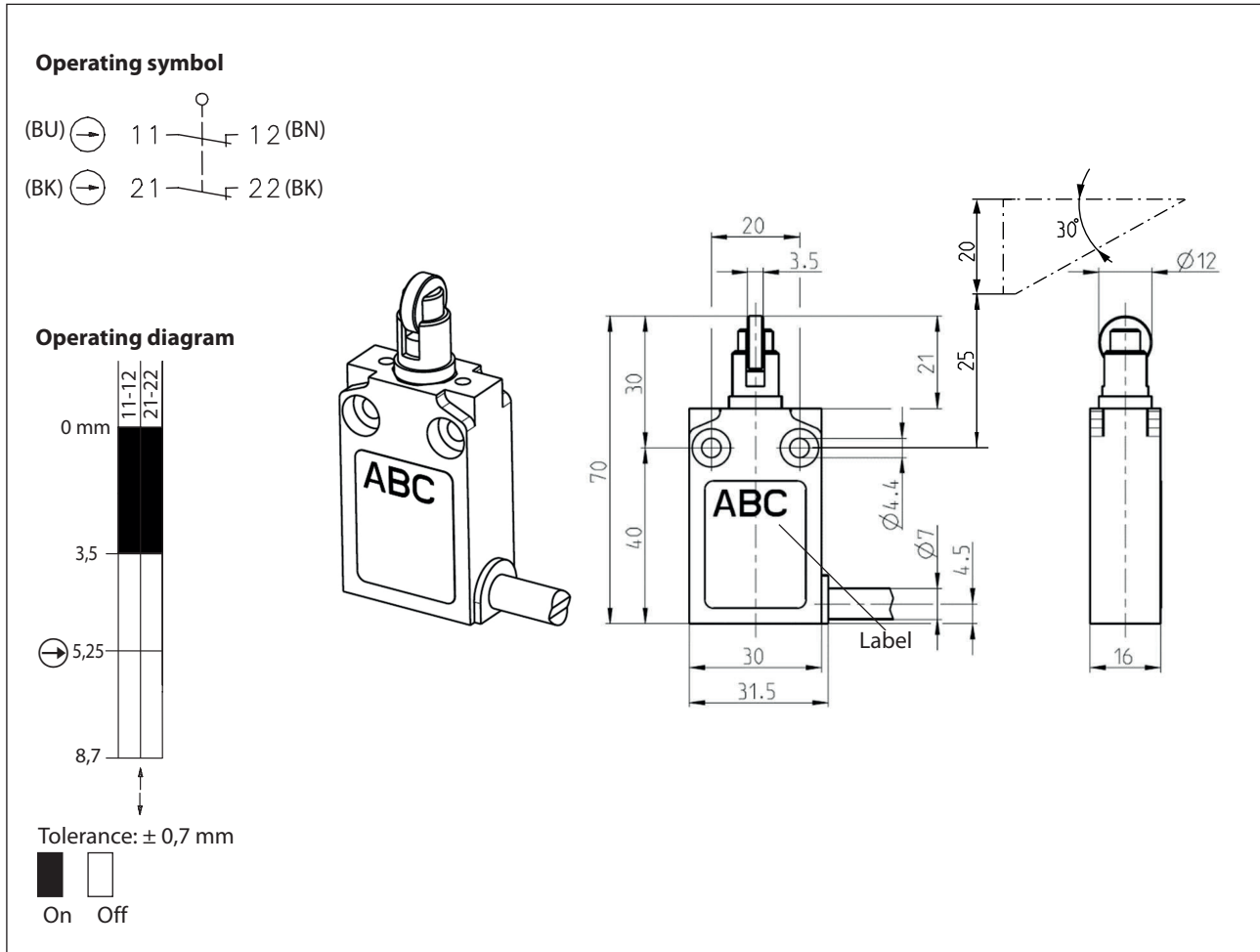


Plastic bodied limit switch Series I49

Description **I49-A2Z RIW 8M**

Article number **6189817072**



Electrical Data

Rated insulation voltage acc. to DIN EN 60947-1	U_i 250 V (degree of pollution 3)
Conv. thermal current acc. to DIN EN 60947-5-1) $0 < 40$ °C	I_{the} 4 A
Rated operational voltage	U_e 240 V
Utilization category	AC-15, 24 V - 4 A / 240 V - 3 A DC-13, 24 V - 2 A / 250 V - 0.4 A
Direct opening action	acc. to IEC/EN 60947-5-1
Short-circuit protective device $U_e < 500$ V a.c. - gG type fuses	Fuse 4 A gG
Protection class	II, totally insulated

Mechanical data	
Enclosure	Pre-wired, Double insulation, Plastic Casing IP67, 30 mm width (polymeric)
Actuator	Plunger (stainless steel), roller (galvanized)
Ambient air temperature	-during operation -25 °C ... +70 °C -for storage -40 °C ... +70 °C
Contact type	Non-overlapping slow-action contacts, 2 NC
Mechanical life	10 x 10 ⁶ switching cycles
Switching frequency	60 / min
Resistance between contacts	25 mΩ
Operating speed	0,1 m/s
Connection	PVC 4 x 0,75 mm ² UL cable, 8 m length
Installation position	All positions are authorized
Protection type	IP67 acc. to IEC/EN 60529

Standards	
	DIN EN 60947-1
	DIN EN 60947-5-1

EU Conformity	
	acc. to directive 2014/35/EU (Low-Voltage-Directive)