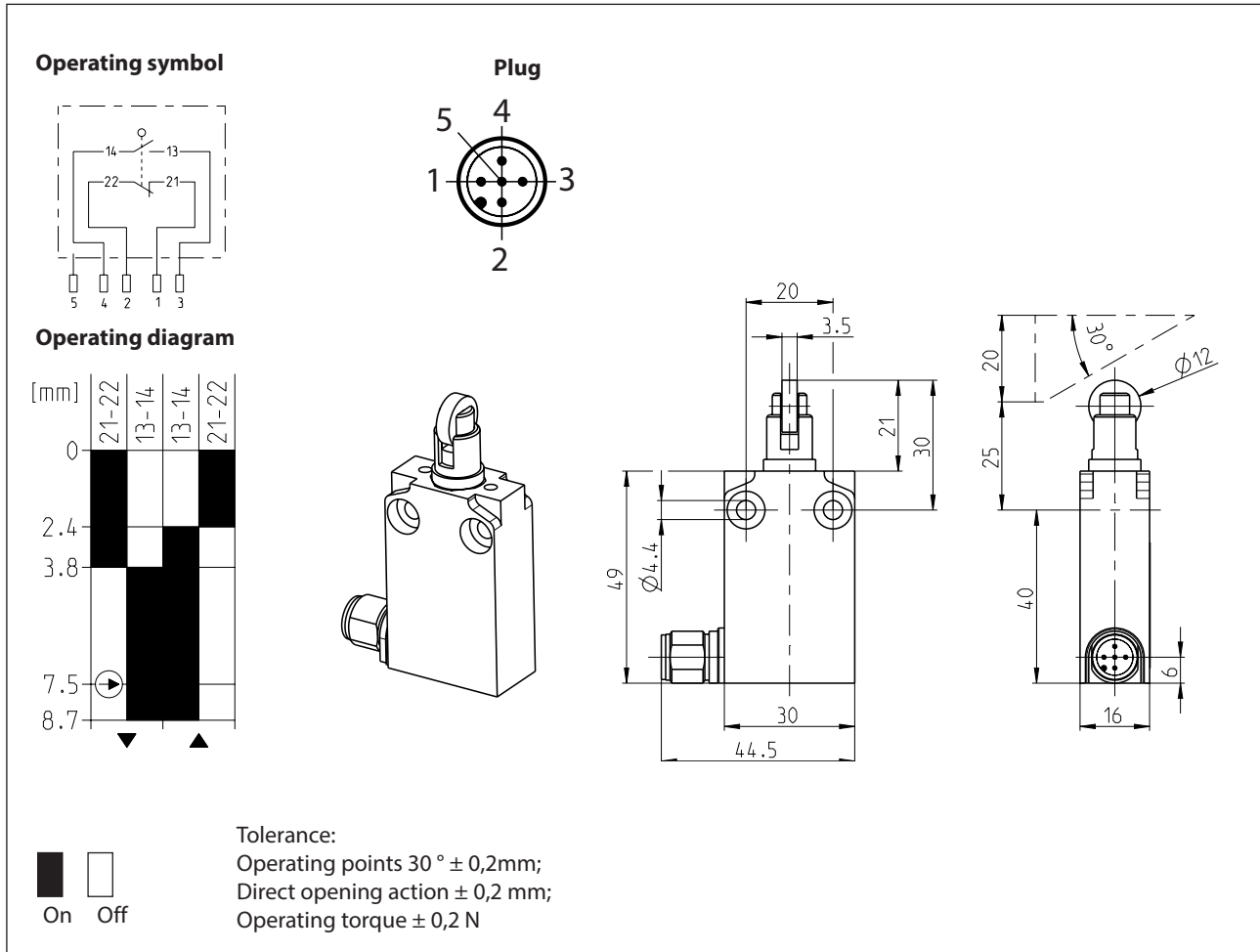


Plastic bodied limit switch Series I49

Description **I49-SU1Z RIW M12**

Article number **6189167086**



Electrical Data	
Rated insulation voltage acc. to DIN EN 60947-1	U_i 250 V (degree of pollution 3)
Conv. thermal current acc. to IEC 947-5-1 and DIN EN 60947-5-1) $0 < 40^\circ\text{C}$	I_{the} 4 A
Rated operational voltage	U_e 240 V
Utilization category	AC15 240V/3A DC13 24V/2,8A
Direct opening action	\ominus 30N acc. to IEC/EN 60947-5-1
Short-circuit protective device $U_e < 500 \text{ V a.c.}$ - gG type fuses	Fuse 4 A gG
Protection class	II, totally insulated

Mechanical data	
Enclosure	Pre-wired - IP67 - Plastic housing - Width 30mm
Actuator	Plunger (stainless steel), roller (galvanised)
Ambient air temperature	-during operation -25 °C ... +70 °C -for storage -40 °C ... +70 °C
Contact type	Snap action, 1 NO, 1 NC
Mechanical life	10 x 10 ⁶ switching cycles
Switching frequency	3600 / h
Velocity for actuating	0,1 m/s
Resistance between contacts	25 mΩ
Connection	M12 male connector
Installation position	All positions are authorized
Protection type	IP67 acc. to IEC/EN 60529

ID for safety engineering	
B10d	20 x 10 ⁶ cycles

Standards	
	DIN EN 60947-5-1
	DIN EN ISO 13849-1

EU Conformity	
	acc. to directive 2014/35/EU (Low-Voltage-Directive)