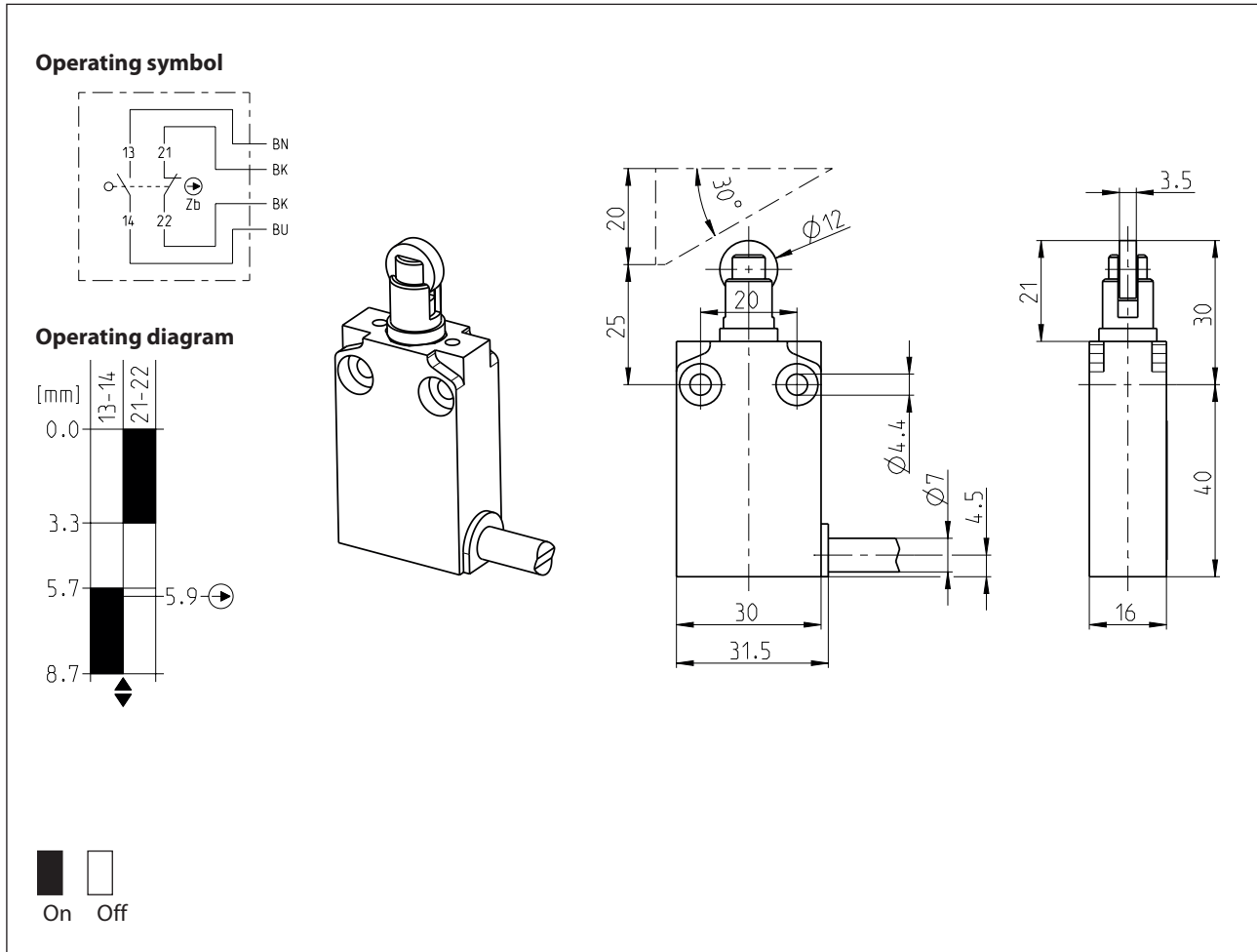


Plastic bodied limit switch

Series I49

Description **I49-U1Z RIW 5M**

Article number **6189117079**



Electrical Data

Rated insulation voltage acc. to DIN EN 60947-1 acc. to UL 508 and CSA C22-2 n° 14	U_i	400 V (degree of pollution 3) B300, R300
Conv. thermal current acc. to DIN 60947-5-1) 0 < 40 °C	I_{the}	10 A
Rated operational voltage	U_e	240 V
Utilization category	AC-15	50 / 60 Hz, 24 V - 10 A / 120 V - 6 A / 240 V - 3 A
	DC-13	24 V - 2,8 A / 125 V - 0,55 A / 250 V - 0,27 A
Direct opening action	\rightarrow	acc. to IEC/EN 60947-5-1
Short-circuit protective device $U_e < 500$ V a.c. - gG type fuses		Fuse 10 A gG
Protection class		II, totally insulated

Mechanical data	
Enclosure	Pre-wired, Double insulation, Plastic Casing IP67, 30 mm width (polymeric)
Actuator	Plunger (stainless steel), roller (galvanized)
Ambient air temperature	-during operation -25 °C ... +70 °C -for storage -40 °C ... +70 °C
Contact type	non overlapping slow action contacts, 1 NO, 1 NC
Mechanical life	10 x 10 ⁶ switching cycles
Switching frequency	60 / min
Velocity for actuating	0,1 m/s
Resistance between contacts	< 25 mΩ
Connection	PVC 4 x 0,75 mm ² UL cable, 5 m length
Installation position	All positions are authorized
Protection type	IP67 acc. to IEC/EN 60529

Standards	
	DIN EN 60947-1
	DIN EN 60947-5-1

EU Conformity	
	acc. to directive 2014/35/EU (Low-Voltage-Directive)

Approvals	
	CCC
	cUL _{US}

Notes	
	Type 1 enclosure ("indoor use only") acc. to UL50