

Technical Data

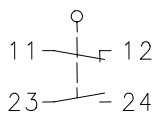
Plastic bodied limit switch

Series TI2

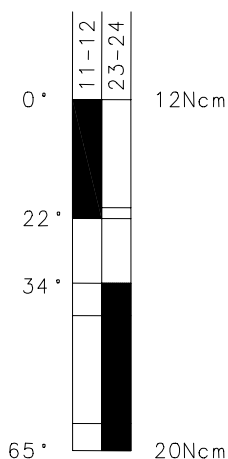
Description **TI2-U1 AD 270GR VS V8**

Article number **6188137007**

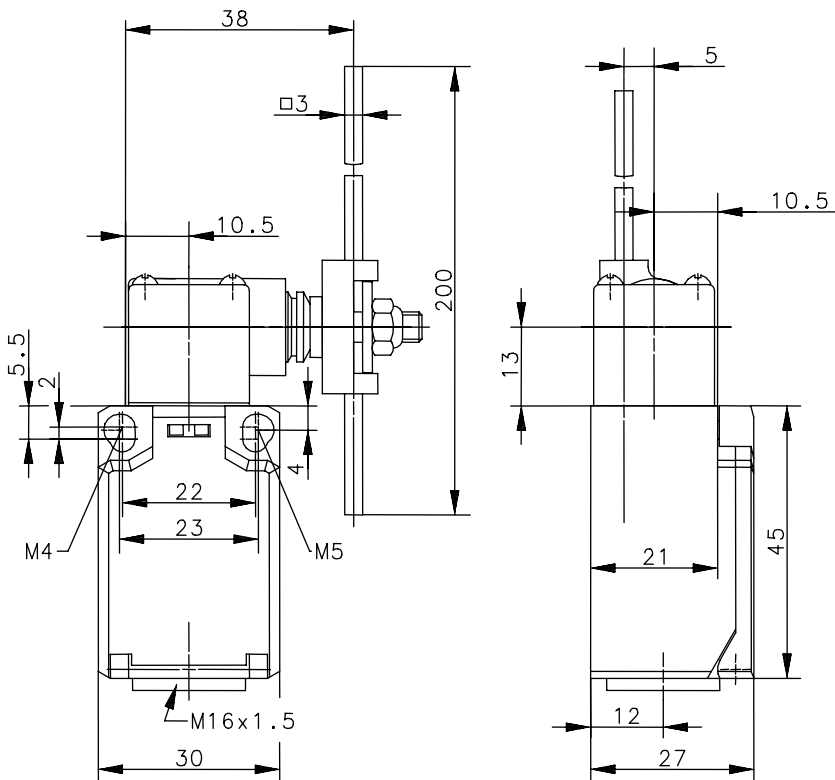
Operating symbol



Operating diagram



On
 Off
 Tolerance:
 Operating point $\pm 0,25^\circ$;
 Actuating force $\pm 10\%$



Electrical data

Rated insulation voltage	U_i	250V AC
Conv. thermal current	I_{the}	10A AC; 2,5A DC
Rated operational voltage	U_e	240V AC; 250V DC
Utilization category		AC-15, U_e/I_e 240V/3A; DC-13, U_e/I_e 250V/0,27A
Short-circuit protective device		Fuse 6A gL/gG
Protection class		II, totally insulated

This document will not become the contractual basis; the details included herein do not constitute any descriptions of expected conditions, so that warranties/claims for defects on account of possible variations of the actual qualities from the qualities described herein are explicitly excluded. All rights reserved. Specifications subject to change without notice!

Date of issue: 04.09.2006 / Page 1 of 2
 Document : 6188137007_en / Last update : 1 / 2623-06

Technical Data

Plastic bodied limit switch

Mechanical data

Enclosure	PBT
Cover	PA6.6
Actuator	Lever arm housing, AD-rod (st)
Ambient air temperature	-30°C ... +80°C
Contact type	1 NC, 1 NO (Zb)
Mechanical life	3 x 10 ⁶ switching cycles
Switching frequency	≤ 100/min
Assembly	2 x M4 or 2 x M5 fixed position
Connection	4 screw connections (M3,5)
Conductor cross-sections	Solid: 0.5 ... 1.5mm ² Litz wire with ferrules: 0.5 ... 1.5mm ²
Cable entrance	1 x M16x1,5
Weight	≈ 0,08kg
Installation position	Operator definable
Protection type	IP65 acc. to EN 60529; DIN VDE 0470 T1

Actuation

The actuating device is preferably started from 2 sides.

By loosening the 4 screws the actuation assembly can be rotated in 90 degree increments such that 8 actuation directions are possible.

The actuation assembly is to be again fastened to the housing using the 4 screws.

Standards	VDE 0660 T100, DIN EN 60947-1, IEC 60947-1 VDE 0660 T200, DIN EN 60947-5-1, IEC 60947-5-1
------------------	--

EU Conformity	CE
----------------------	-----------

Approvals	cCSA _{US} A300, Q300 (same polarity)
------------------	---

Notes

The degree of protection (IP code) specified applies solely to a properly closed cover and the use of an equivalent cable gland with adequate cable.