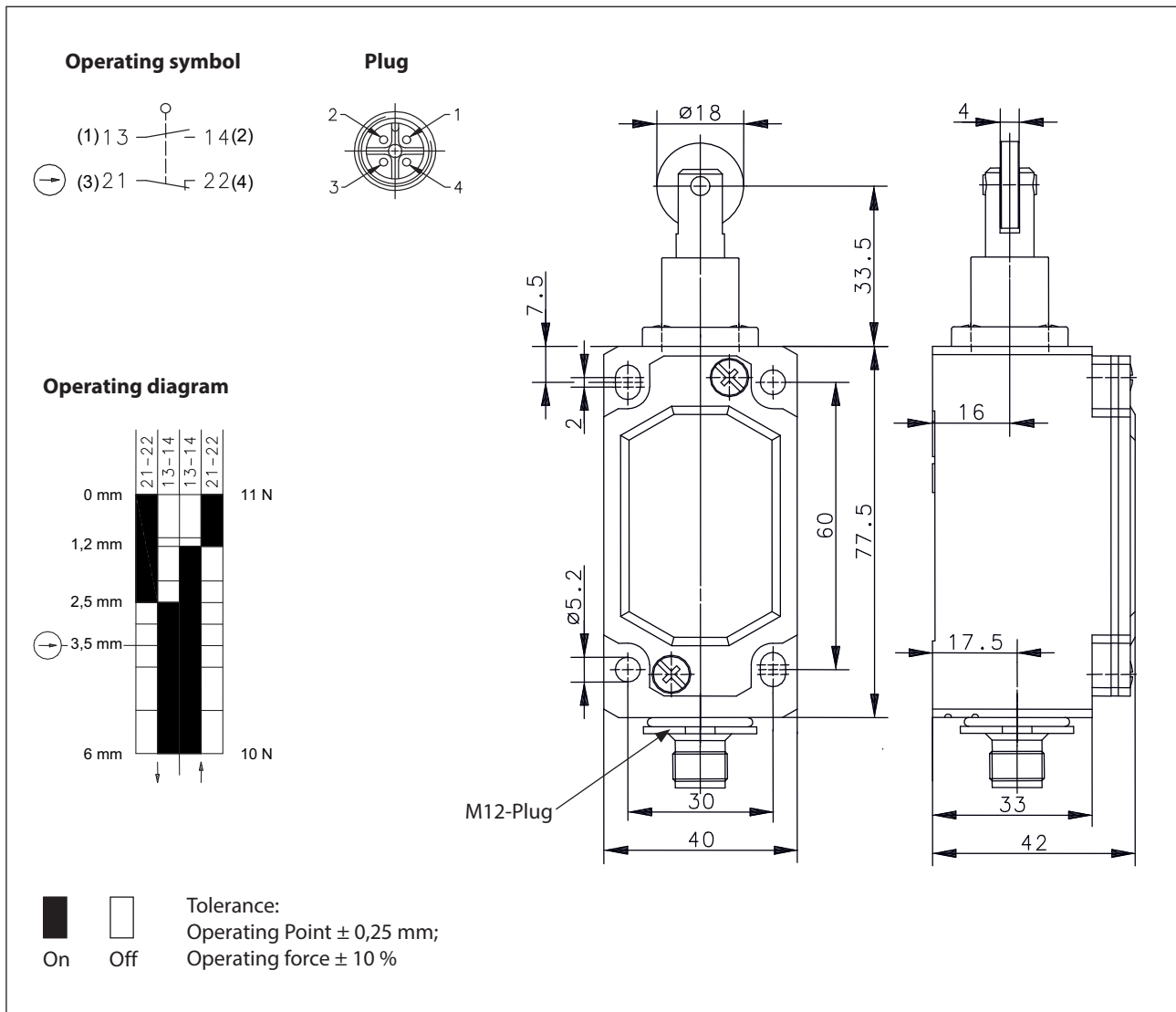


Metal bodied limit switch

Series ENM2

Description **ENM2-SU1Z RIW M12**

Article number **6187367132**



Electrical Data		
Conv. thermal current	I_{the}	2,5 A
Rated operational voltage	U_e	50 V AC
Utilization category		AC-15, U_e/I_e 50 V / 2,5 A
Direct opening action	\rightarrow	acc. to IEC/EN 60947-5-1, annex K
Short-circuit protective device		Fuse 2 A gG
Protection class		III (extra- low voltage)

Mechanical data	
Enclosure	Die-cast aluminium
Cover	Sheet aluminium
Actuator	Roller (stainless steel)
Ambient air temperature	-30 °C ... +80 °C
Contact type	1 N.C., 1 N.O. (Za)
Mechanical life	10 x 10 ⁶ operating cycles
Switching frequency	≤ 100 / min.
Assembly	4 x M5
Connection	Plug M12 x 1, A-Code
Weight	≈ 0,21 kg
Installation position	operator definable
Protection type	IP65 acc. to EN 60529

Actuation
By loosening the 4 screws the actuation assembly can be rotated in 90 degree increments such that 4 actuation directions are possible. The actuation assembly is to be again fastened to the housing using the 4 screws.

Standards
DIN EN 60947-1, IEC 60947-1
DIN EN 60947-5-1, IEC 60947-5-1

EU Conformity
acc. to directive 2006/95/EC

Notes
<p>The degree of protection specified (IP code) applies only to a properly closed cover and the use of an equivalent cable gland with adequate cable.</p> <p>For use with the described ambient temperature, the plug and cable (fixed or flexible installation) must be suitable for at least the same temperature range.</p> <p>The plug must not be connected and disconnected under voltage.</p> <p>The mechanical life of the plug are 500 cycle of operation.</p> <p>To comply with the approvals need to use proper plugs and cables.</p>