



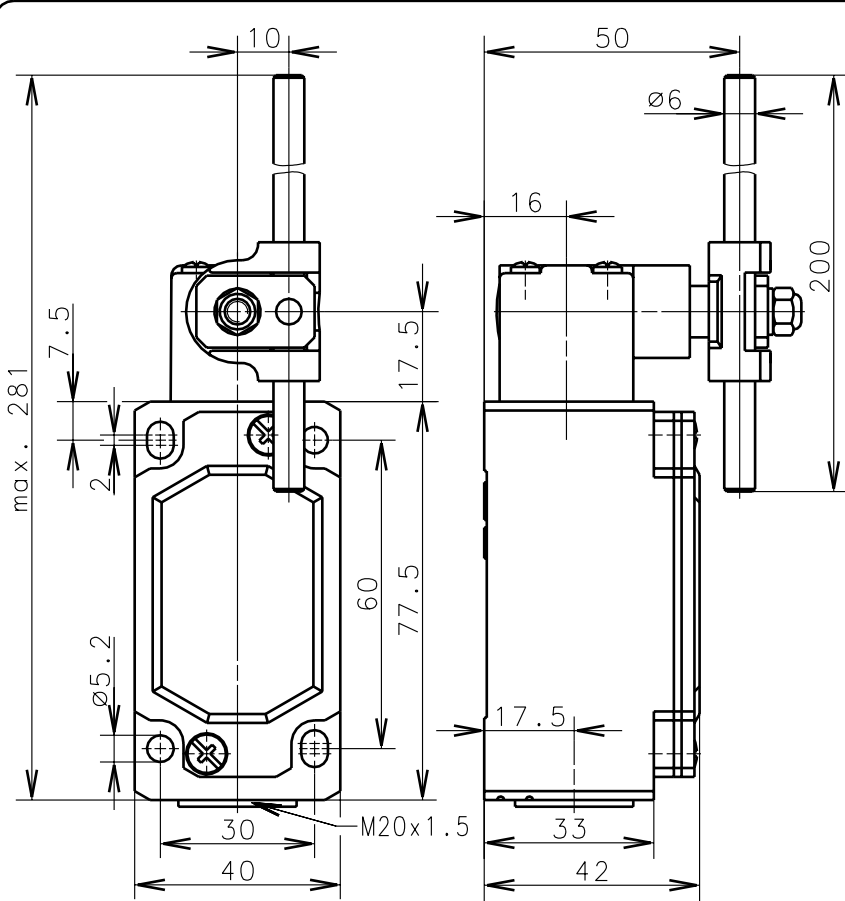
Bernstein

Bernstein AG
Postfach 1164
D-32437 Porta Westfalica

Technical data sheet

ENM2-U1Z AD

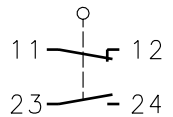
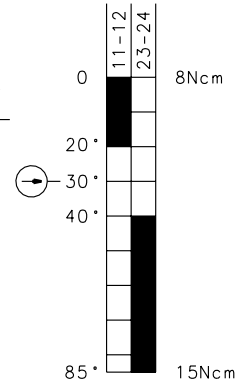
618.7137.075



Positive opening operation according to DIN EN 60947-5-1 IEC 60947-5-1



IMGP-B111



Switching diagram

Switching symbol

Tolerance: operating point $\pm 3.5^\circ$
operating torque $\pm 10\%$

Schutzvermerk nach DIN 34 beachten
Copyright reserved

Mechanical features

Enclosure:	Al-die cast
Cover:	Al-plate
Actuator:	Turret head (Zn-die cast), AD-rod (aluminium)

Ambient air temperature:	-30°C up to +80°C
Contact type:	1 NC-contact, 1 NO-contact (Zb)

Mechanical life:	10x10 ⁶ switch operations
Switch frequency:	max. 100/min
Mounting:	4 x M5
Connection type:	4 screw connections (M3,5)
Conductor cross-section:	single core 0.5-1.5mm ² / litz wire with connector sleeve 0.5-1.5mm ²
Cable entry size:	1 x M20x1.5
Weight:	approx. 0,29kg

Electrical features

Rated insulation voltage:	U _i = 400 V AC
Conventional thermal current:	I _{the} = 10 A
Max. inrush current:	according to IEC 60947-5-1; AC 15, A300
Utilization categorie:	AC 15, A300, U _e /I _e 240V/3A
Standards:	according to EN 60947-1; EN 60947-5-1
Protection class (IP-Code):	IP65 according to EN 60529, DIN VDE 0470 T1
CSA:	10A 300V AC, A300 (same polarity)
Short-circuit protection:	Fuse 10A gL/gG, IEC/EN 60947-5-1, appendix K

Approach possibilities

By loosening the 4 screws the Actuation Assembly can be rotated in 90 degree increments such that 4 Actuation directions are possible. The Actuation Assembly is to be again fastened to the housing using the 4 screws.

Remarks

The moving parts should be oiled periodically.
The rated protection class (IP-Code) is valid only at closed cover and when using an at least equivalent cable gland.

02.10.03