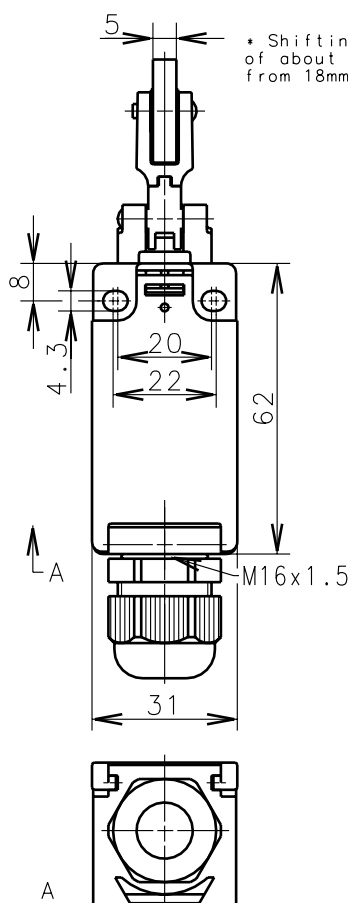
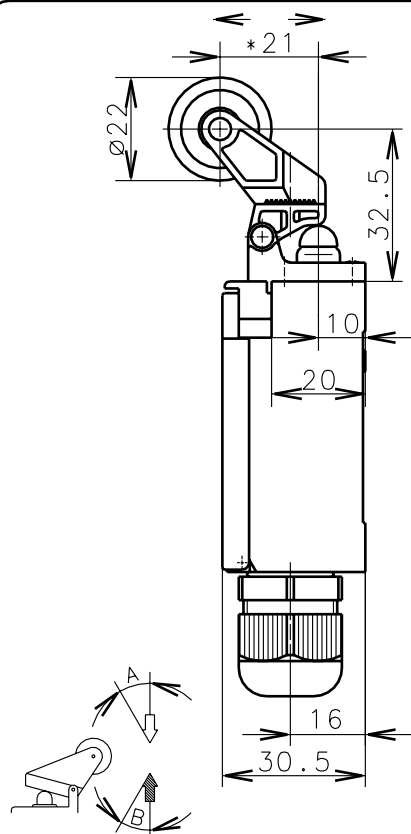
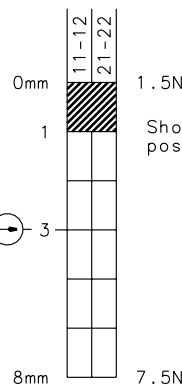
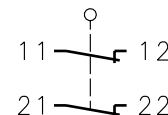


**Bernstein**Bernstein AG
Postfach 1164
D-32437 Porta Westfalica**Technical data sheet****188-A2Z DGKw****618.6827.580*** Shifting possibility
of about 1mm
from 18mm to 24mmPositive opening
operation according
to DIN EN 60947-5-1
IEC 60947-5-1

ID-No. 188 636

Shown switching diagram for
position of actuator *21mmSwitching
symbolTolerance: operating point $\pm 0.25\text{mm}$
actuating force $\pm 10\%$

m/s	0.1	0.5	1	2	5
A	—	—	—	—	—
B	—	40°	40°	30°	20°

Schutzvermerk nach DIN 34 beachten
Copyright reserved

13.11.02

Mechanical features

Enclosure: Thermoplast, glass fibre reinforced (UL 94-V0)
 Cover: Thermoplast, glass fibre reinforced (UL 94-V0)
 Actuator: Lever with roller (thermoplast)

Ambient air temperature: -30°C up to $+80^{\circ}\text{C}$
 Contact type: 2 NC-contact (Zb)

Mechanical life: 1×10^6 switch operations
 Switch frequency: max. 100/min
 Mounting: 2 x M4

Connection type: 4 screw connections (M3)
 Conductor cross-section: single core 0.5-1.5mm²/litz wire with connector sleeve 0.5-1.5mm²
 Cable entry size: 1 x cable gland M16x1.5 (clamp-range 5-10mm)
 Weight: approx. 0,08kg

Electrical features

Rated insulation voltage: $U_i = 400\text{ V AC}$
 Conventional thermal current: $I_{the} = 5\text{ A}$
 Max. inrush current: according to IEC 60947-5-1; AC 15, B300
 Utilization categorie: AC 15, B300, U_e/I_e 240V/1.5A
 Standards: according to EN 60947-1; EN 60947-5-1
 Protection class (IP-Code): IP65 according to EN 60529; DIN VDE 0470 T1
 CSA: 6A 300V AC, B300 (same polarity)
 Short circuit protection: Fuse 6A gL/gG, IEC/EN 60947-5-1, appendix K

Approach possibilities

By loosening the 4 screws the Actuation Assembly can be rotated in 90 degree increments such that 4 Actuation directions are possible. The Actuation Assembly is to be again fastened to the housing using the 4 screws.

Remarks

The moving parts should be oiled periodically.
 The rated protection class (IP-Code) is valid only at closed cover.