



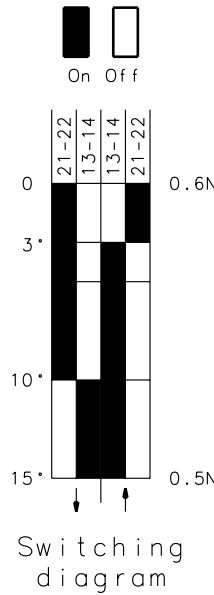
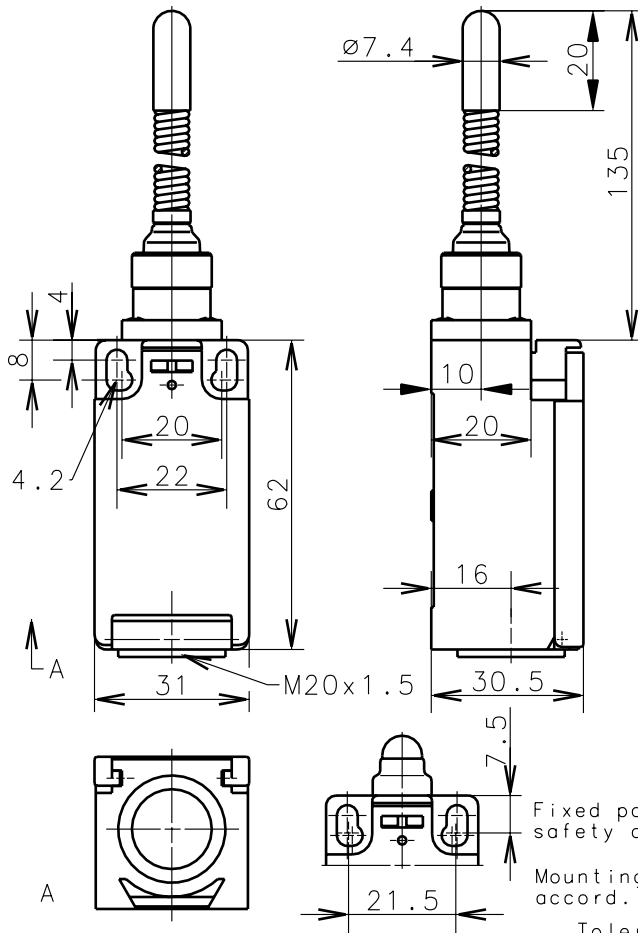
**Bernstein**

Bernstein AG  
Postfach 1164  
D-32437 Porta Westfalica

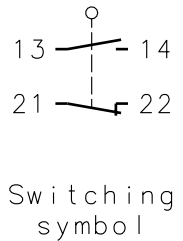
# Technical data sheet

188-SU1 FF

618.6190.613



IUGM-B311



Fixed positioning for safety applications

Mounting screw accord. to DIN 912 M5

Tolerance: operating point  $\pm 3.5^\circ$ ; operating torque  $\pm 10\%$

## Mechanical features

Enclosure:	Thermoplast, glass fibre reinforced (UL 94-VO)
Cover:	Thermoplast, glass fibre reinforced (UL 94-VO)
Actuator:	Wobble stick with plastic slide
Ambient air temperature:	-30°C up to +80°C
Contact type:	1 NC-contact, 1 NO-contact
Mechanical life:	10x10 <sup>6</sup> switch operations
Switch frequency:	max. 100/min
Mounting:	2 x M4
Connection type:	4 screw connections (M3.5)
Conductor cross-section:	single core 0.5-1.5mm <sup>2</sup> /litz wire with connector sleeve 0.5-1.5mm <sup>2</sup>
Cable entry size:	1 x M20x1.5
Weight:	approx. 0,1kg

## Electrical features

Rated insulation voltage:	$U_i = 250$ V AC
Conventional thermal current:	$I_{the} = 10$ A
Max. inrush current:	according to IEC 60947-5-1, AC 15, A300
Utilization categorie:	AC 15, A300, $U_e/I_e$ 240V/3A
Standards:	according to EN 60947-1; EN 60947-5-1
Protection class (IP-Code):	IP65 according to EN 60529, DIN VDE 0470 T1
CSA:	10A 300V AC, A300 (same polarity)
Short-circuit protection:	Fuse 2A gL/gG, IEC/EN 60947-5-1

## Approach possibilities

May be actuated from all directions.

## Remarks

The moving parts should be oiled periodically.  
The rated protection class (IP-Code) is valid only at closed cover and when using an at least equivalent cable gland.