



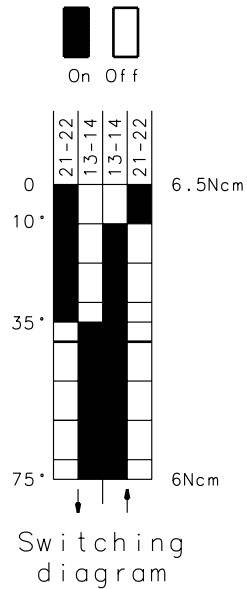
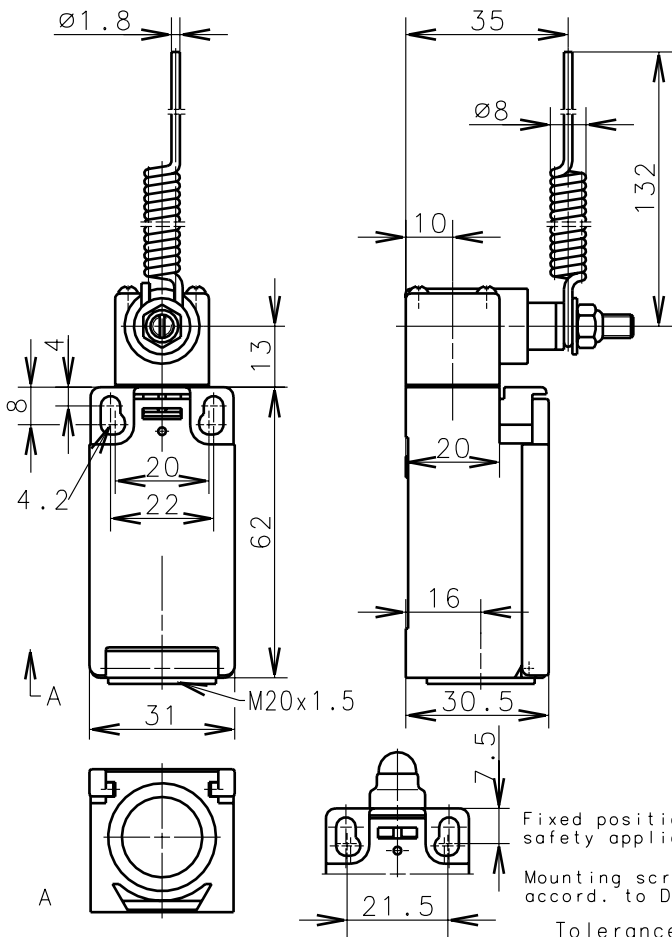
**Bernstein**

Bernstein AG  
Postfach 1164  
D-32437 Porta Westfalica

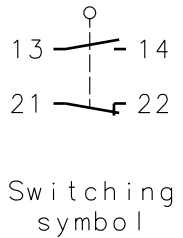
# Technical data sheet

188-SU1 AF

618.6189.612



IUGQ-B311



Fixed positioning for safety applications

Mounting screw accord. to DIN 912 M5

Tolerance: operating point  $\pm 3.5^\circ$ ; operating torque  $\pm 10\%$

## Mechanical features

Enclosure: Thermoplast, glass fibre reinforced (UL 94-V0)  
 Cover: Thermoplast, glass fibre reinforced (UL 94-V0)  
 Actuator: Turret head, wobble stick (st)

Ambient air temperature:  $-30^\circ\text{C}$  up to  $+80^\circ\text{C}$   
 Contact type: 1 NC-contact, 1 NO-contact

Mechanical life:  $10 \times 10^6$  switch operations  
 Switch frequency: max. 100/min  
 Mounting: 2 x M4  
 Connection type: 4 screw connections (M3.5)  
 Conductor cross-section: single core 0.5-1.5mm<sup>2</sup>/litz wire with connector sleeve 0.5-1.5mm<sup>2</sup>  
 Cable entry size: 1 x M20x1.5  
 Weight: approx. 0,10kg

## Electrical features

Rated insulation voltage:  $U_i = 250 \text{ V AC}$   
 Conventional thermal current:  $I_{the} = 10 \text{ A}$   
 Max. inrush current: according to IEC 60947-5-1, AC 15, A300  
 Utilization categorie: AC 15, A300,  $U_e/I_e$  240V/3A  
 Standards: according to EN 60947-1; EN 60947-5-1  
 Protection class (IP-Code): IP65 according to EN 60529, DIN VDE 0470 T1  
 CSA: 10A 300V AC, A300 (same polarity)  
 Short-circuit protection: Fuse 2A gL/gG, IEC/EN 60947-5-1

## Approach possibilities

By loosening the 4 screws the Actuation Assembly can be rotated in 90 degree increments such that 4 Actuation directions are possible. The Actuation Assembly is to be again fastened to the housing using the 4 screws.

## Remarks

The moving parts should be oiled periodically.  
The rated protection class (IP-Code) is valid only at closed cover and when using an at least equivalent cable gland.