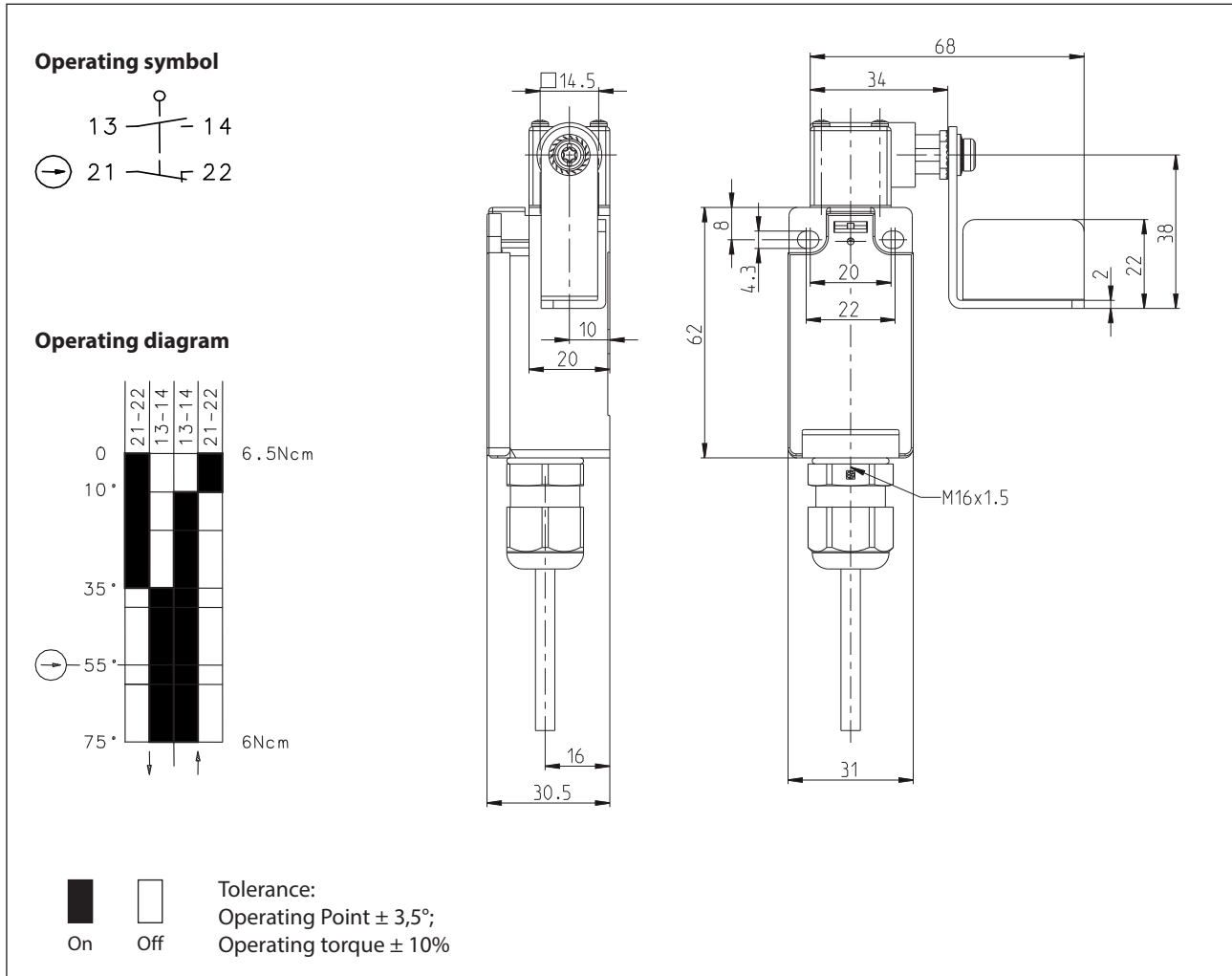


# Plastic bodied limit switch Series I88

Description **I88-SU1Z AH 270GR M16 NORM**

Article number **6186185646**



Electrical Data		
Rated insulation voltage	$U_i$	250 V AC
Conv. thermal current	$I_{the}$	10 A
Rated operational voltage	$U_e$	240 V
Utilization category		AC-15, $U_e/I_e$ 240 V / 3 A
Direct opening action	⊖	acc. to IEC/EN 60947-5-1, annex K
Short-circuit protective device		Fuse 2 A gG
Protection class		II, totally insulated

<b>Mechanical data</b>	
Enclosure	Thermoplastic, glass fibre reinforced (UL 94-V0)
Cover	Thermoplastic, glass fibre reinforced (UL 94-V0)
Actuator	Turret head, Lever (st)
Ambient air temperature	-30° C ... +80° C
Contact type	1 NC, 1 NO (Zb)
Mechanical life	10 x 10 <sup>6</sup> operating cycles
Switching frequency	≤ 100 / min.
Assembly	2x M4
Connection	Cable 2 x 0,5 mm <sup>2</sup> x 4 m ±5 %; PVC; with ferrules
Cable entrance	1 x cable gland M16 x 1,5
Weight	≈ 0,23 kg
Installation position	operator definable
Protection type	IP65 acc. to EN 60529

<b>ID for safety engineering</b>	
B10d	20 x 10 <sup>6</sup> switching cycles

<b>Actuation</b>
<p>The actuating device is preferably started from 2 sides.                      By loosening the 4 screws the actuation assembly can be rotated in 90 degree increments such that 8 actuation directions are possible.                      The actuation assembly is to be again fastened to the housing using the 4 screws.</p>

<b>Standards</b>
DIN EN 60947-1, IEC 60947-1
DIN EN 60947-5-1, IEC 60947-5-1
DIN EN ISO 13849-1

<b>EU Conformity</b>
acc. to directive 2006/42/EC

<b>Notes</b>
The degree of protection (IP code) specified above applies solely when the cover is closed.