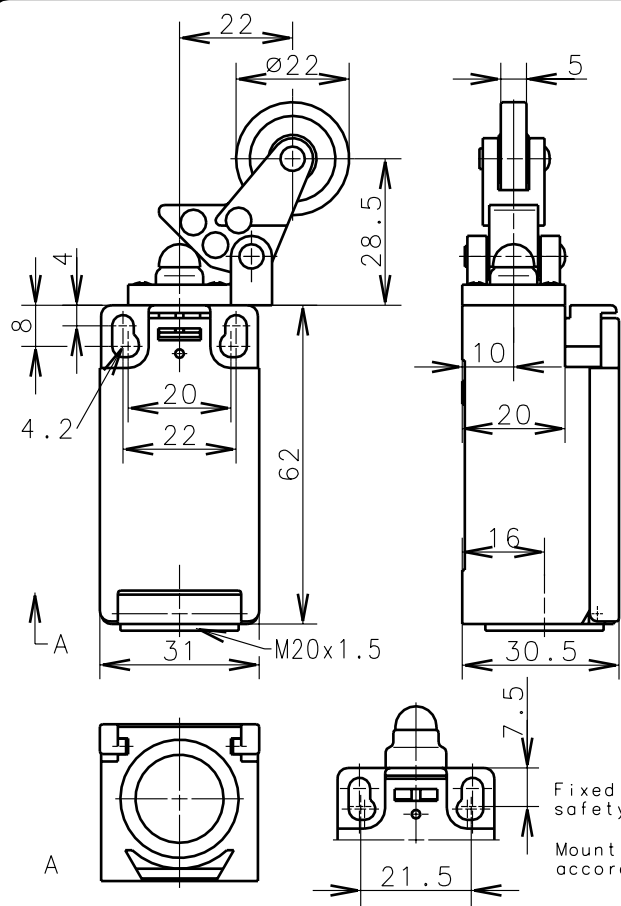
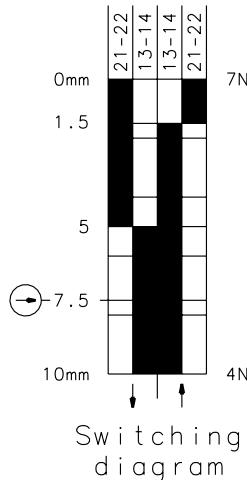


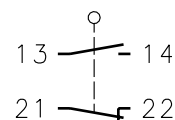
**Bernstein**Bernstein AG  
Postfach 1164  
D-32437 Porta Westfalica**Technical data sheet****188-SU1Z KNw****618.6177.606**

Positive opening operation according to DIN EN 60947-5-1 IEC 60947-5-1

On Off



IUGK-B411



Switching symbol

Tolerance: operating point  $\pm 0.25\text{mm}$ ; actuating force  $\pm 10\%$ **Mechanical features**

Enclosure: Thermoplast, glass fibre reinforced (UL 94-V0)  
 Cover: Thermoplast, glass fibre reinforced (UL 94-V0)  
 Actuator: Lever with roller (Thermoplast)

Ambient air temperature:  $-30^\circ\text{C}$  up to  $+80^\circ\text{C}$   
 Contact type: 1 NC-contact, 1 NO-contact (Zb)

Mechanical life:  $10 \times 10^6$  switch operations

Switch frequency: max. 100/min

Mounting: 2 x M4

Connection type: 4 screw connections (M3.5)

Conductor cross-section: single core  $0.5\text{-}1.5\text{mm}^2$ /litz wire with connector sleeve  $0.5\text{-}1.5\text{mm}^2$

Cable entry size: 1 x M20x1.5

Weight: approx. 0,07kg

**Electrical features**

Rated insulation voltage:  $U_i = 250\text{ V AC}$

Conventional thermal current:  $I_{the} = 10\text{ A}$

Max. inrush current: according to IEC 60947-5-1; AC 15, A300

Utilization categorie: AC 15, A300,  $U_e/I_e$  240V/3A

Standards: according to EN 60947-1; EN 60947-5-1

Protection class (IP-Code): IP65 according to EN 60529, DIN VDE 0470 T1

CSA: 10A 300V AC, A300 (same polarity)

Short-circuit protection: Fuse 2A gL/gG, IEC/EN 60947-5-1, appendix K

**Approach possibilities**

By loosening the 4 screws the Actuation Assembly can be rotated in 90 degree increments such that 4 Actuation directions are possible. The Actuation Assembly is to be again fastened to the housing using the 4 screws.

**Remarks**

The moving parts should be oiled periodically.

The rated protection class (IP-Code) is valid only at closed cover and when using an at least equivalent cable gland.

Copies are not retreated in case of alternations.

Schutzvermerk nach DIN 34 beachten  
Copyright reserved

24.09.03