



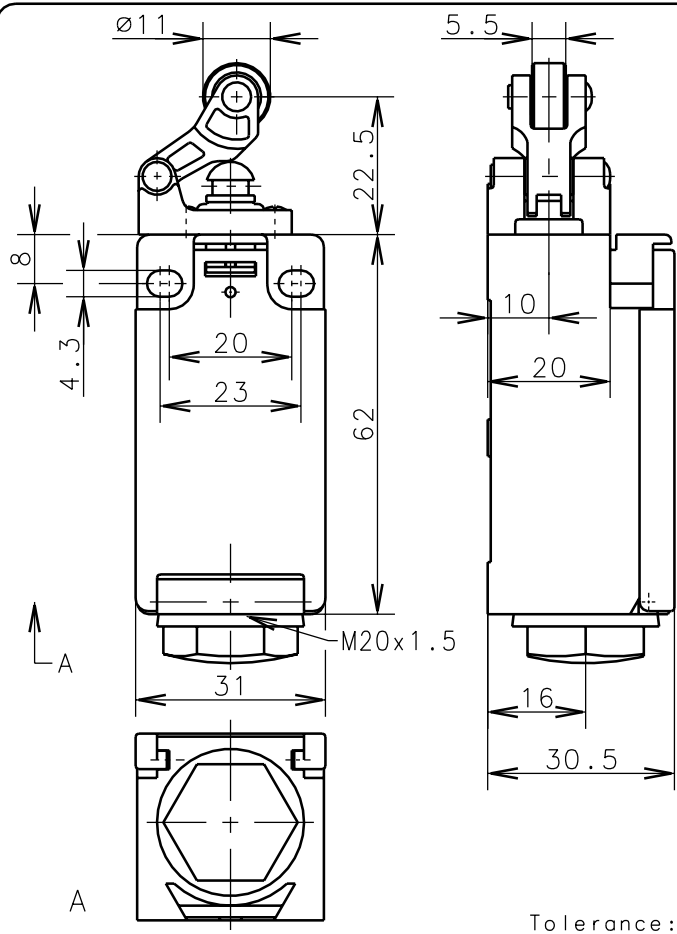
**Bernstein**

Bernstein AG  
Postfach 1164  
D-32437 Porto Westfalica

# Technical data sheet

188-SU1Z Hw 180°

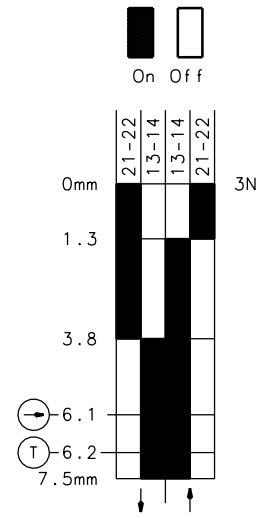
618.6171.442



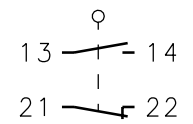
Positive opening operation according to DIN EN 60947-5-1 IEC 947-5-1

Ⓣ Gap between NC-contacts per EN 81

ID-Nr.: 189 845



Switching diagram



Switching symbol

Tolerance: operating point  $\pm 0.25\text{mm}$ ; actuating force  $\pm 10\%$

Schutzvermerk nach DIN 34 beachten  
Copyright reserved

### Mechanical features

Enclosure:	Thermoplast, glass fibre reinforced (UL 94-V0) black
Cover:	Thermoplast, glass fibre reinforced (UL 94-V0)
Actuator:	Lever with roller (thermoplast)

Ambient air temperature:	-30°C up to +80°C
Contact type:	1 NC-contact, 1 NO-contact (Zb)

Mechanical life:	$10 \times 10^6$ switch operations
Switch frequency:	max. 60/min
Mounting:	2 x M4
Connection type:	4 screw connections (M3.5)
Cable entry size:	1 x self-sealing grommet M20x1.5 (closed)
Weight:	approx. 0,07 kg

### Electrical features

Max. voltage:	500 V AC
Max. enduring current:	1 th 10A
Max. inrush current:	according to IEC 947-5-1; AC 15; DC 13
Standards:	according to EN 60204; EN 60947-1; EN 60947-5-1
Protection class (IP-Code):	IP65 according to EN 60529, DIN VDE 0470 T1
CSA:	10A 300V AC, A300 (same polarity)
Short-circuit protection:	Fuse 2A gL/gG, IEC/EN 60947-5-1, appendix K

### Approach possibilities

By loosening 4 screw it is possible to turn the actuator through 90° so that 4 approach possibilities can be achieved.

### Remarks

The moving parts should be oiled periodically.  
The planned protection class (IP-Code) is valid only at closed cover.

05.01.2001