

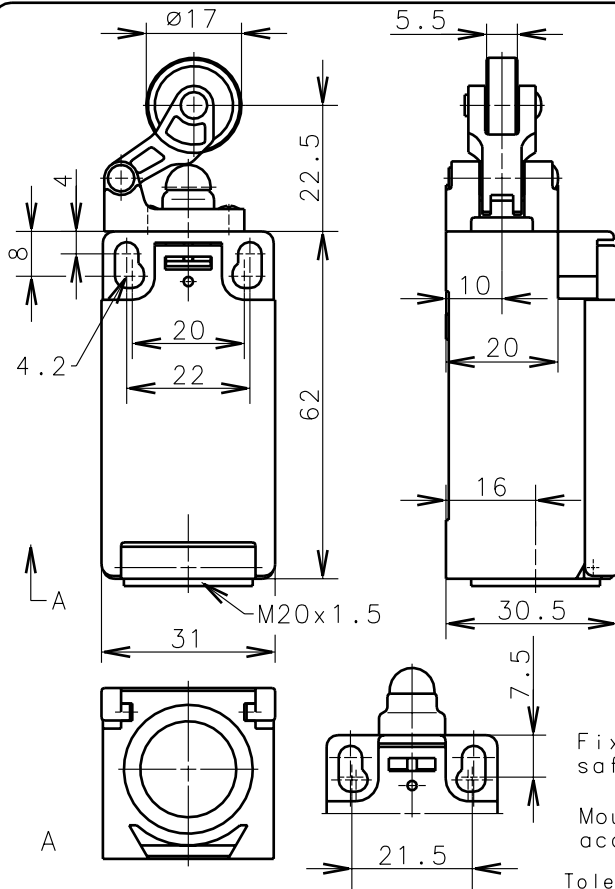


Bernstein AG  
Postfach 1164  
D-32437 Porta Westfalica

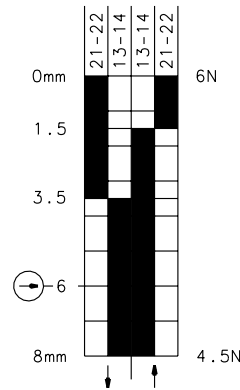
# Technical data sheet

I88-SU1Z Hw 180°

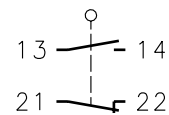
618.6171.242



Positive opening operation according to DIN EN 60947-5-1 IEC 60947-5-1



Switching diagram



Switching symbol

Fixed positioning for safety applications

Mounting screw accord. to DIN 912 M5

Tolerance: operating point  $\pm 0.25\text{mm}$ ; actuating force  $\pm 10\%$

## Mechanical features

Enclosure:	Thermoplast, glass fibre reinforced (UL 94-V0)
Cover:	Thermoplast, glass fibre reinforced (UL 94-V0)
Actuator:	Lever with Roller (Thermoplast)
Ambient air temperature:	-30°C up to +80°C
Contact type:	1 NC-contact, 1 NO-contact (Zb)
Mechanical life:	$10 \times 10^6$ switch operations
Switch frequency:	max. 100/min
Mounting:	2 x M4
Connection type:	4 screw connections (M3.5)
Conductor cross-section:	single core 0.5-1.5mm <sup>2</sup> /litz wire with connector sleeve 0.5-1.5mm <sup>2</sup>
Cable entry size:	1 x M20x1.5
Weight:	approx. 0,07 kg

## Electrical features

Rated insulation voltage:	$U_i = 250 \text{ V AC}$
Conventional thermal current:	$I_{the} = 10 \text{ A}$
Max. inrush current:	according to IEC 60947-5-1, AC 15, A300
Utilization categorie:	AC 15, A300, $U_e/I_e = 240\text{V}/3\text{A}$
Standards:	according to EN 60947-1; EN 60947-5-1
Protection class (IP-Code):	IP65 according to EN 60529, DIN VDE 0470 T1
CSA:	10A 300V AC, A300 (same polarity)
Short-circuit protection:	Fuse 2A gL/gG, IEC/EN 60947-5-1, appendix K

## Approach possibilities

By loosening the 4 screws the Actuation Assembly can be rotated in 90 degree increments such that 4 Actuation directions are possible. The Actuation Assembly is to be again fastened to the housing using the 4 screws.

## Remarks

The moving parts should be oiled periodically.  
The rated protection class (IP-Code) is valid only at closed cover and when using an at least equivalent cable gland.