

# Technical Data

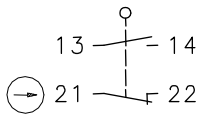
## Plastic bodied limit switch

### Series I88

Description **I88-SU1Z W IP67**

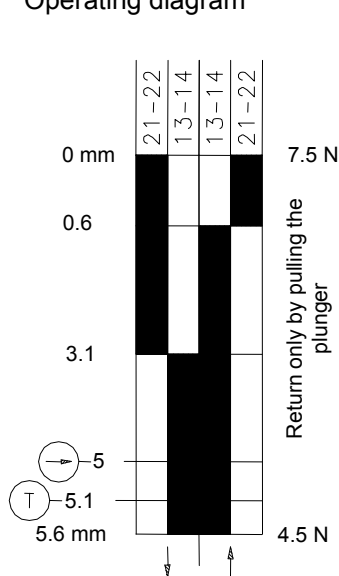
Article number **6186153618**

Operating symbol

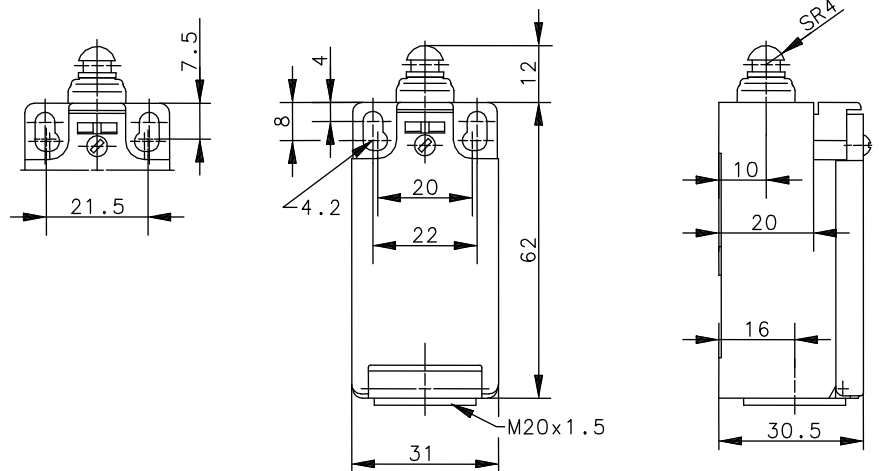


Fixed positioning for safety applications  
Mounting screw according to DIN 912 M5

Operating diagram



On  
 Off  
 Tolerance:  
 Operating point  $\pm 0,25\text{mm}$ ;  
 Actuating force  $\pm 10\%$



### Electrical data

Rated insulation voltage	$U_i$	250 V AC
Conv. thermal current	$I_{the}$	10 A
Rated operational voltage	$U_e$	240 V
Utilization category		AC-15, $U_e/I_e$ 240 V / 3 A
Positive opening NC contact	$\ominus$	IEC/EN 60947-5-1, Annex K
Gap between NC-contacts	$\text{\textcircled{T}}$	DIN EN 81
Short-circuit protective device		Fuse 2 A gG
Protection class		II, totally insulated

This document will not become the contractual basis; the details included herein do not constitute any descriptions of expected conditions, so that warranties/claims for defects on account of possible variations of the actual qualities from the qualities described herein are explicitly excluded. All rights reserved. Specifications subject to change without notice!

Date of issue: 30.11.2012 / Page 1 of 2  
Document : 6186153618\_en / Last update : 2 / 2676-12

# Technical Data

## Plastic bodied limit switch



### Mechanical data

Enclosure	Thermoplastic, glass fibre reinforced (UL 94-V0)
Cover	Thermoplastic, glass fibre reinforced (UL 94-V0)
Actuator	Plunger (thermoplastic)
Ambient air temperature	-30 °C ... +80 °C
Contact type	1 NC, 1 NO (Zb)
Mechanical life	10 x 10 <sup>6</sup> switching cycles
Switching frequency	≤ 60/min
Assembly	2 x M4
Connection	4 screw connections (M3,5)
Conductor cross-sections	Solid: 0,5 ... 1,5 mm <sup>2</sup> Litz wire with ferrules: 0,5 ... 1,5 mm <sup>2</sup>
Cable entrance	1 x M20 x 1,5
Weight	≈ 0,07 kg
Installation position	Operator definable
Protection type	IP67 acc. to EN 60529; DIN VDE 0470 T1 NEMA 4x Indoor use only

### Actuation

The push bolt actuator is mainly intended to be actuated along it's axis.  
Side actuation will considerably reduce switch life.

<b>Standards</b>	VDE 0660 T100, DIN EN 60947-1, IEC 60947-1 VDE 0660 T200, DIN EN 60947-5-1, IEC 60947-5-1
------------------	--

<b>EU Conformity</b>	acc. to directive 2006/95/EG
----------------------	------------------------------

### Approvals

cCSA<sub>US</sub> A300 (same polarity)

### Notes

The degree of protection specified (IP code) applies only to a properly closed cover and the use of an equivalent cable gland with adequate cable.

This document will not become the contractual basis; the details included herein do not constitute any descriptions of expected conditions, so that warranties/claims for defects on account of possible variations of the actual qualities from the qualities described herein are explicitly excluded. All rights reserved. Specifications subject to change without notice!

Date of issue: 30.11.2012 / Page 2 of 2  
Document : 6186153618\_en / Last update : 2 / 2676-12