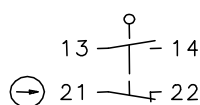


Plastic bodied limit switch Series I88

Description **I88-SU1Z W**

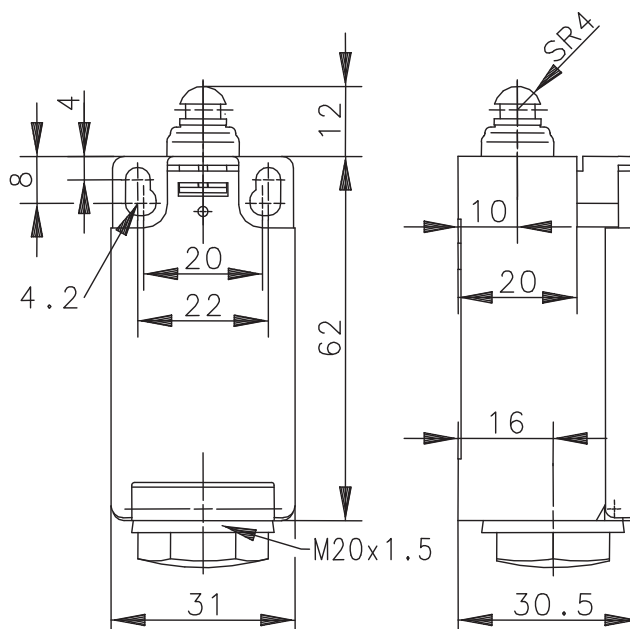
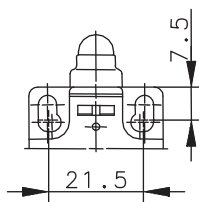
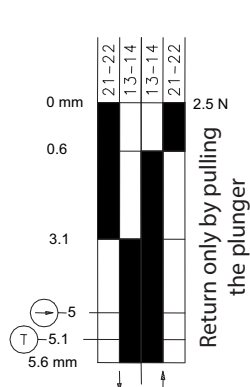
Article number **6186153415**

Operating symbol



Fixed positioning for safety applications
Mounting screw according to DIN 912 M5

Operating diagram



ON OFF Tolerance:
 Operating point $\pm 0,25$ mm;
 Operating force ± 10 %

Electrical Data

Rated insulation voltage	U_i	250 V AC
Conv. thermal current	I_{the}	10 A
Rated operational voltage	U_e	240 V
Utilization category		AC-15, U_e/I_e 240 V / 3 A
Direct opening action		acc. to IEC/EN 60947-5-1, annex K
Gap between NC-contacts		DIN EN 81
Short-circuit protective device		Fuse 2 A gG
Protection class		II, totally insulated

Mechanical data	
Enclosure	Thermoplastic, glass fibre reinforced (UL 94-V0)
Cover	Thermoplastic, glass fibre reinforced (UL 94-V0)
Actuator	Plunger (thermoplastic)
Ambient air temperature	-30 °C ... +80 °C
Contact type	1 NC, 1 NO (Zb)
Mechanical life	10 x 10 ⁶ operating cycles
Switching frequency	≤ 60 / min.
Assembly	2 x M4
Connection	4 screw connections (M3,5)
Conductor cross-sections	Solid: 0,5 ... 1,5 mm ² or Litz wire with ferrules: 0,5 ... 1,5 mm ²
Cable entrance	1 x self-sealing grommet M20 x 1,5 (tightness-range 8 – 13,5 mm)
Weight	≈ 0,06 kg
Installation position	operator definable
Protection type	IP54 acc. to IEC/EN 60529

ID for safety engineering	
B10d	20 x 10 ⁶ cycles

Actuation	
The push bolt actuator is mainly intended to be actuated along it's axis. Side actuation will considerably reduce switch life.	

Standards	
VDE 0660 T100, DIN EN 60947-1, IEC 60947-1	
VDE 0660 T200, DIN EN 60947-5-1, IEC 60947-5-1	
DIN EN ISO 13849-1	

EU Conformity	
acc. to directive 2014/35/EU	

Approvals	
CCC	
cCSA _{US} A300 (same polarity)	

Notes	
The specified protection classification (IP code) applies only when the cover is closed and the appropriate cable is used, in accordance with the clamping range of the above mentioned self-sealing grommet.	