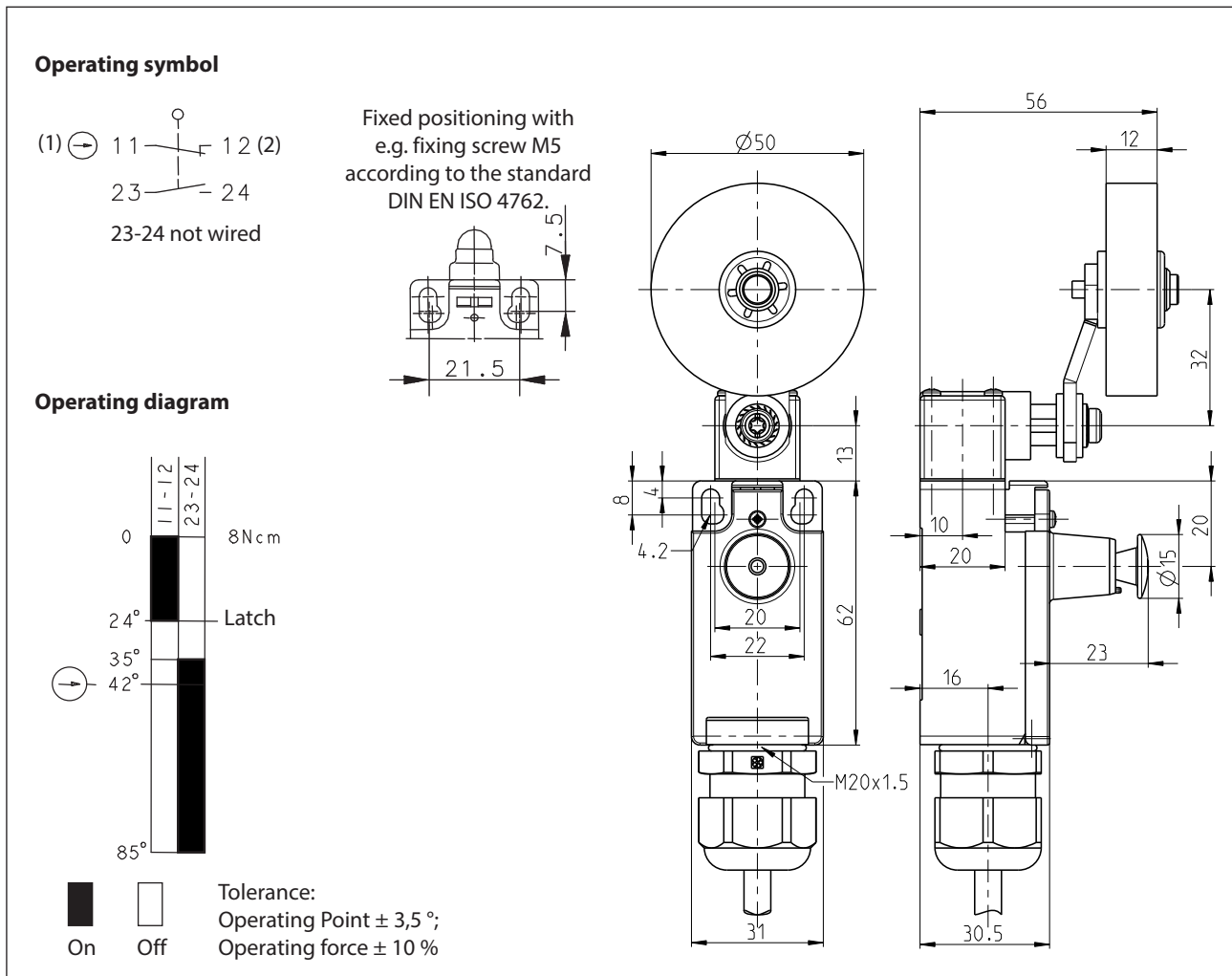


# Plastic bodied limit switch Series I88

Description **I88-U1Z AHSGU RO50 RAST**

Article number **6186135782**



Electrical Data		
Rated insulation voltage	$U_i$	250 V AC
Conv. thermal current	$I_{the}$	10 A
Rated operational voltage	$U_e$	240 V
Utilization category		AC-15, $U_e/I_e$ 240 V / 3 A
Direct opening action	$\ominus$	acc. to IEC/EN 60947-5-1, annex K
Short-circuit protective device		Fuse 10 A gG
Protection class		II (totally insulated)

Mechanical data	
Enclosure	Thermoplastic, glass fibre reinforced (UL 94-V0)
Cover	Thermoplastic, glass fibre reinforced (UL 94-V0)
Actuator	Turret head, roller (NBR)
Ambient air temperature	moved: -5 °C ... +70 °C static: -30 °C ... +70 °C
Contact type	1 NC, 1 NO (Zb)
Mechanical life	1 x 10 <sup>6</sup> operating cycles
Switching frequency	≤ 60 / min.
Assembly	2 x M4
Connection	Cable 2 x 1 mm <sup>2</sup> x 3 m ± 5 %, PVC-outer jacket, gray, 60 mm stripped Wires with ferrules acc. to DIN 46228T3-D1-7-MS
Weight	≈ 0,3 kg
Installation position	operator definable
Protection type	IP65 acc. to IEC/EN 60529

Actuation
<p>The actuating device is preferably started from 2 sides. By loosening the 4 screws the actuation assembly can be rotated in 90 degree increments such that 8 actuation directions are possible. The actuation assembly is to be again fastened to the housing using the 4 screws.</p>

Standards
VDE 0660 T100, DIN EN 60947-1, IEC 60947-1
VDE 0660 T200, DIN EN 60947-5-1, IEC 60947-5-1

EU Conformity
acc. to directive 2006/95/EC

Approvals
cCSA <sub>US</sub> A300 (same polarity)

Notes
<p>The degree of protection (IP code) specified applies solely to a property closed cover. To achieve safe positive opening the user must observe suitable alignment and mechanical driving fit for all adjustable parts. A sufficient contact angle to reach the marked positive opening (⊕) must be ensured.</p>