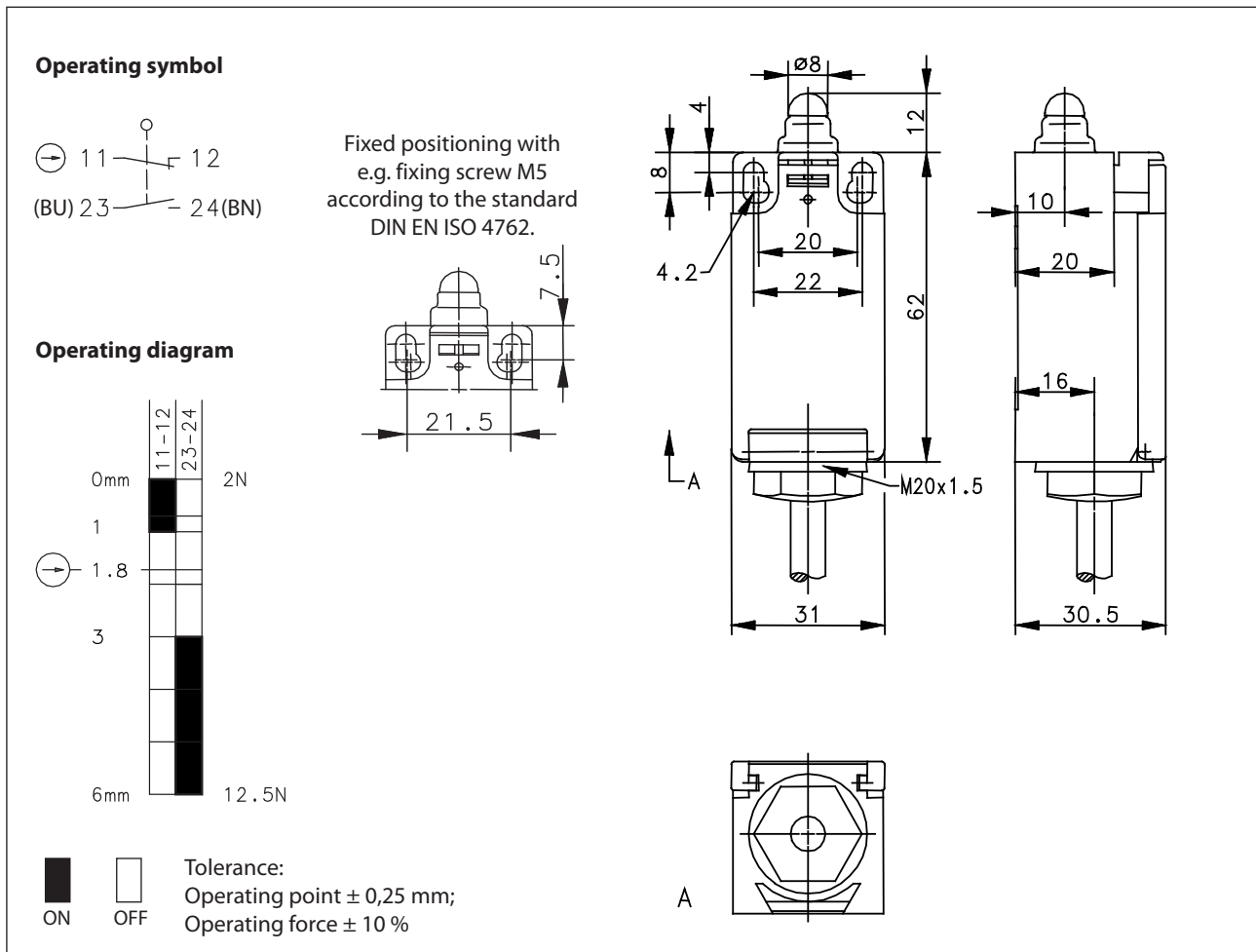


## Plastic bodied limit switch Series I88

Description **I88-U1Z W**

Article number **6186103437**



### Electrical Data

Rated insulation voltage	$U_i$	250 V AC
Conv. thermal current	$I_{the}$	10 A
Rated operational voltage	$U_e$	240 V
Utilization category		AC-15, $U_e/I_e$ 240 V / 3 A
Direct opening action	$\ominus$	acc. to IEC/EN 60947-5-1, annex K
Short-circuit protective device		Fuse 10 A gG
Protection class		II, totally insulated

Mechanical data	
Enclosure	Thermoplastic, glass fibre reinforced (UL 94-V0)
Cover	Thermoplastic, glass fibre reinforced (UL 94-V0)
Actuator	Plunger (thermoplastic)
Ambient air temperature	+5 °C ... +50 °C
Contact type	1 NC, 1 NO (Zb)
Mechanical life	10 x 10 <sup>6</sup> operating cycles
Switching frequency	≤ 100 / min.
Assembly	2 x M4
Connection	Control cable 2 x 0.75 mm <sup>2</sup> (with wire end sleeves), PVC-Outer jacket (gray), length: 3 m
Conductor cross-sections	Solid: 0,5 ... 1,5 mm <sup>2</sup> or Litz wire with ferrules: 0,5 ... 1,5 mm <sup>2</sup>
Cable entrance	1 x self-sealing grommet M20 x 1,5 (tightness-range 8 – 13,5 mm)
Weight	≈ 0,24 kg
Installation position	operator definable
Protection type	IP43 acc. to IEC/EN 60529

ID for safety engineering	
B10d	20 x 10 <sup>6</sup> cycles

Actuation	
The push bolt actuator is mainly intended to be actuated along it's axis. Side actuation will considerably reduce switch life.	

Standards	
VDE 0660 T100, DIN EN 60947-1, IEC 60947-1	
VDE 0660 T200, DIN EN 60947-5-1, IEC 60947-5-1	
DIN EN ISO 13849-1	

EU Conformity	
acc. to directive 2014/35/EU (Low-Voltage-Directive)	

Notes	
The specified protection classification (IP code) applies only when the cover is closed. The cable must be securely laid and protected against mechanical damage. The switch may not be used as a mechanical stop.	