



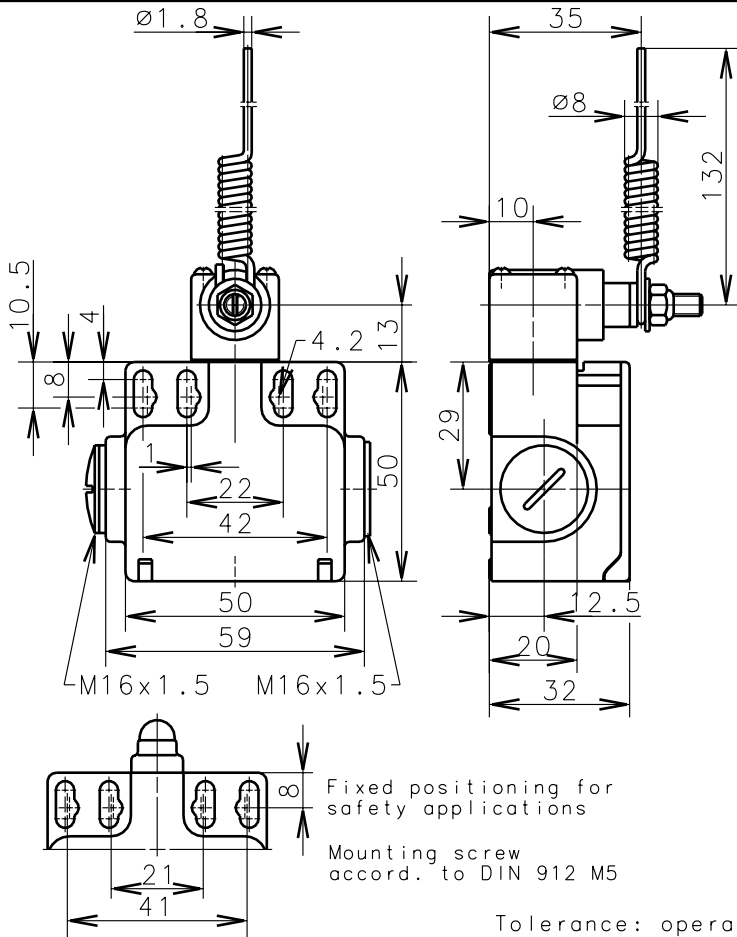
Bernstein

Bernstein AG
Postfach 1164
D-32437 Porta Westfalica

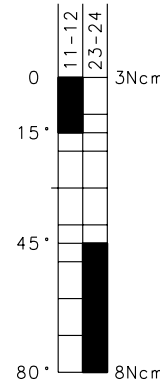
Technical data sheet

Bi-SU1 AF

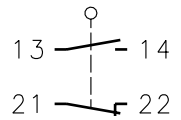
618.5189.072



Fixed positioning for safety applications
Mounting screw accord. to DIN 912 M5



IUCQ-B311



Switching diagram

Switching symbol

Tolerance: operating point $\pm 0.25\text{mm}$; actuating force $\pm 10\%$

Mechanical features

Enclosure: Thermoplast, glass fibre reinforced
Cover: Thermoplast, glass fibre reinforced
Actuator: Turret head, wobble stick (st)

Ambient air temperature: -30°C up to $+80^\circ\text{C}$
Contact type: 1 NC-contact, 1 NO-contact

Mechanical life: 10×10^6 switch operations
Switch frequency: max. 100/min
Mounting: 2 x M4
Connection type: 4 screw connections (M3.5)
Conductor cross-section: single core $0.5\text{-}1.5\text{mm}^2$ /litz wire with connector sleeve $0.5\text{-}1.5\text{mm}^2$
Cable entry size: 2 x M16x1.5 (lateral)
Weight: approx. 0,12 kg

Electrical features

Max. Voltage: 500 V AC
Max. enduring current: I_{the} 10A
Max. inrush current: according to IEC 60947-5-1, AC 15, DC 13
Standards: according to EN 60947-1; EN 60947-5-1
Protection class (IP-Code): IP65 according to EN 60529; DIN VDE 0470 T1
CSA: 10A 300V AC, A300 (same polarity)
Short-circuit protection: Fuse 2A gL/gG, IEC/EN 60947-5-1

Approach possibilities

By loosening the 4 screws the Actuation Assembly can be rotated in 90 degree increments such that 4 Actuation directions are possible. The Actuation Assembly is to be again fastened to the housing using the 4 screws.

Remarks

The rated protection class (IP-Code) is valid only at closed cover and when using an at least equivalent cable gland.