



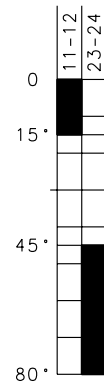
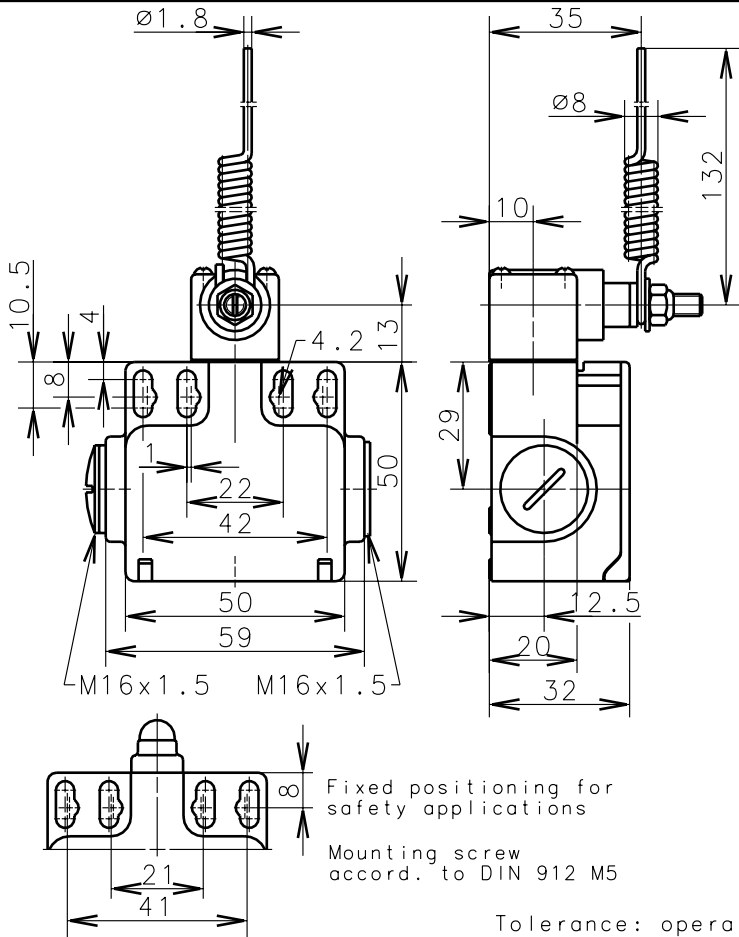
Bernstein

Bernstein AG
Postfach 1164
D-32437 Porta Westfalica

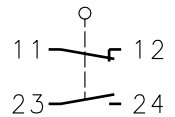
Technical data sheet

Bi-U1 AF

618.5139.062



IUCQ-B111



Switching diagram

Switching symbol

Tolerance: operating point $\pm 0.25\text{mm}$; actuating force $\pm 10\%$

Mechanical features

Enclosure: Thermoplast, glass fibre reinforced
 Cover: Thermoplast, glass fibre reinforced
 Actuator: Turret head, wobble stick (st)

Ambient air temperature: -30°C up to $+80^\circ\text{C}$
 Contact type: 1 NC-contact, 1 NO-contact

Mechanical life: 10×10^6 switch operations
 Switch frequency: max. 100/min
 Mounting: 2 x M4
 Connection type: 4 screw connections (M3.5)
 Conductor cross-section: single core $0.5\text{-}1.5\text{mm}^2$ /litz wire with connector sleeve $0.5\text{-}1.5\text{mm}^2$
 Cable entry size: 2 x M16x1.5 (lateral)
 Weight: approx. 0,12 kg

Electrical features

Max. Voltage: 500 V AC
 Max. enduring current: I_{the} 10A
 Max. inrush current: according to IEC 60947-5-1, AC 15, DC 13
 Standards: according to EN 60947-1; EN 60947-5-1
 Protection class (IP-Code): IP65 according to EN 60529; DIN VDE 0470 T1
 CSA: 10A 300V AC, A300 (same polarity)
 Short-circuit protection: Fuse 10A gL/gG, IEC/EN 60947-5-1

Approach possibilities

By loosening the 4 screws the Actuation Assembly can be rotated in 90 degree increments such that 4 Actuation directions are possible. The Actuation Assembly is to be again fastened to the housing using the 4 screws.

Remarks

The rated protection class (IP-Code) is valid only at closed cover and when using an at least equivalent cable gland.

Copies are not retreated in case of alternations

Schutzvermerk nach DIN 34 beachten
Copyright reserved

29.01.04