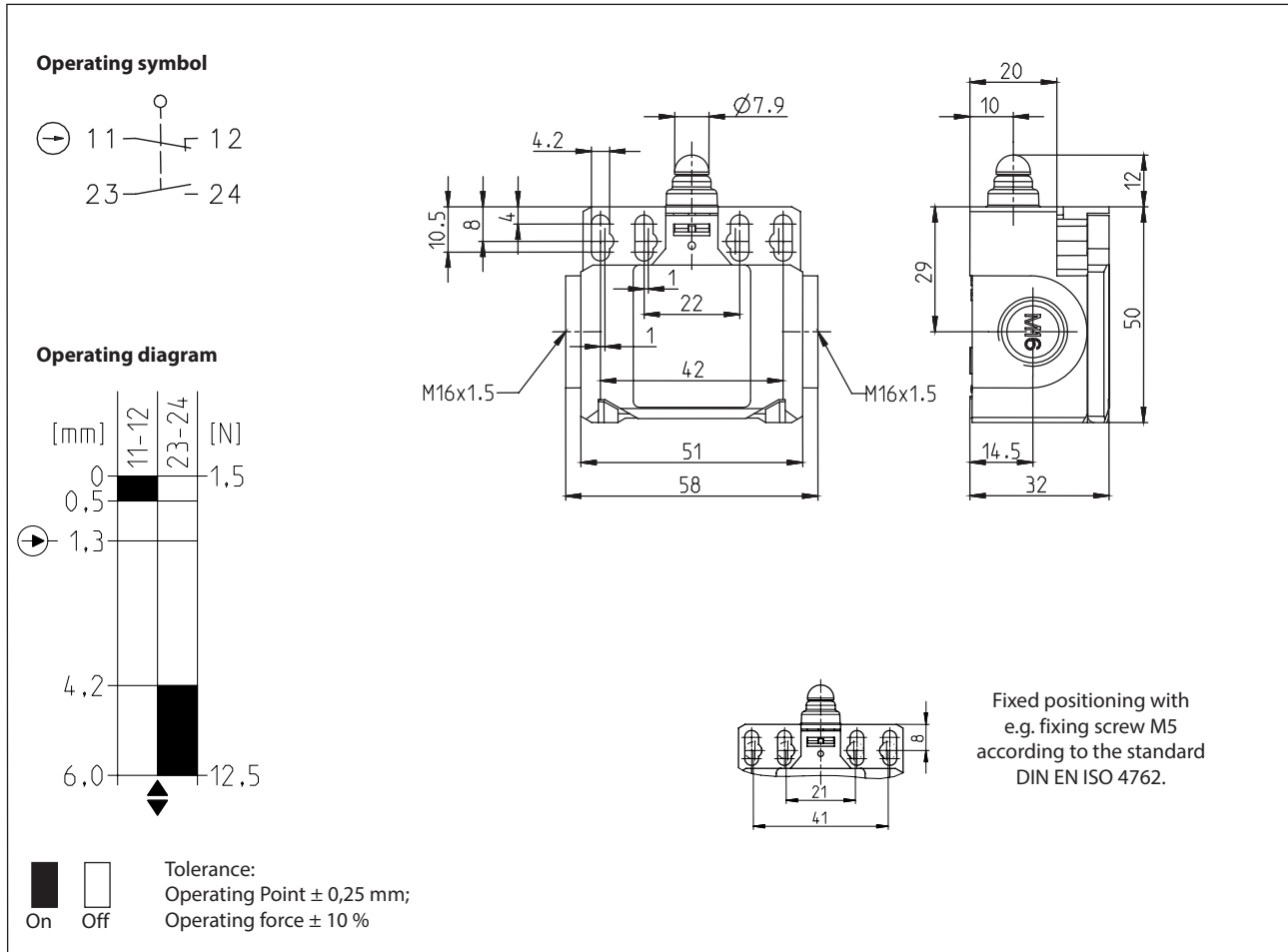


## Plastic bodied limit switch Series BI2

Description **BI2-U1Z W**

Article number **6185103122**



### Electrical Data

|                                 |           |                                   |
|---------------------------------|-----------|-----------------------------------|
| Rated insulation voltage        | $U_i$     | 400 V AC                          |
| Conv. thermal current           | $I_{the}$ | 10 A                              |
| Rated operational voltage       | $U_e$     | 240 V AC                          |
| acc. to $cCSA_{US}$             | $U_e$     | 300 V AC                          |
| Utilization category            |           | AC15 $U_e / I_e$ 240 V / 3 A      |
| Direct opening action           | $\ominus$ | acc. to IEC/EN 60947-5-1, annex K |
| Short-circuit protective device |           | Fuse 10 A gG                      |
| Protection class                |           | II (totally insulated)            |

| Mechanical data          |  |
|--------------------------|--|
| Enclosure                | Thermoplastic, glass fibre reinforced  |
| Cover                    | Thermoplastic, glass fibre reinforced  |
| Actuator                 | plunger (Thermoplastic)  |
| Ambient air temperature  | -30 °C ... +80 °C  |
| Contact type             | 1 NC, 1 NO (Zb)  |
| Mechanical life          | 10 x 10 <sup>6</sup> operating cycles  |
| Switching frequency      | ≤ 100 / min.   |
| Assembly                 | 2 x M4 / 2 x M5 / 2 x M3 front mounting  |
| Connection               | 4 screw connections (M3,5)   |
| Conductor cross-sections | Solid: 0,5 ... 1,5 mm <sup>2</sup><br>Litz wire with ferrules: 0,5 ... 1,5 mm <sup>2</sup> |
| Cable entrance           | 2 x M16 x 1,5  |
| Weight                   | ≈ 0,08 kg  |
| Installation position    | operator definable   |
| Protection type          | IP65 acc. to IEC/EN 60529; DIN VDE 0470 T1   |

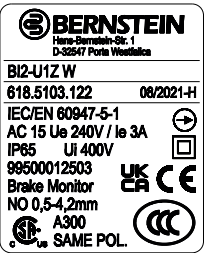
| ID for safety engineering |                             |
|---------------------------|-----------------------------|
| B10d                      | 20 x 10 <sup>6</sup> cycles |

| Actuation  |
|--|
| The push bolt actuator is mainly intended to be actuated along its axis.<br>Side actuation will considerably reduce switch life. |

| Standards                                      |
|--|
| VDE 0660 T200, DIN EN 60947-5-1, IEC 60947-5-1 |
| DIN EN ISO 13849-1                             |

| EU Conformity  |
|--|
| acc. to directive 2014/35/EU (Low-Voltage-Directive) |

| Approvals                     |
|-------------------------------|
| cCSA <sub>US</sub> A300, Q300 |
| CCC                           |

| Notes   |
|---|
| The degree of protection specified (IP code) applies only to a properly closed protective guard and the use of an equivalent cable gland with adequate cable. |
| Type plate acc. to customer specification   |
|    |