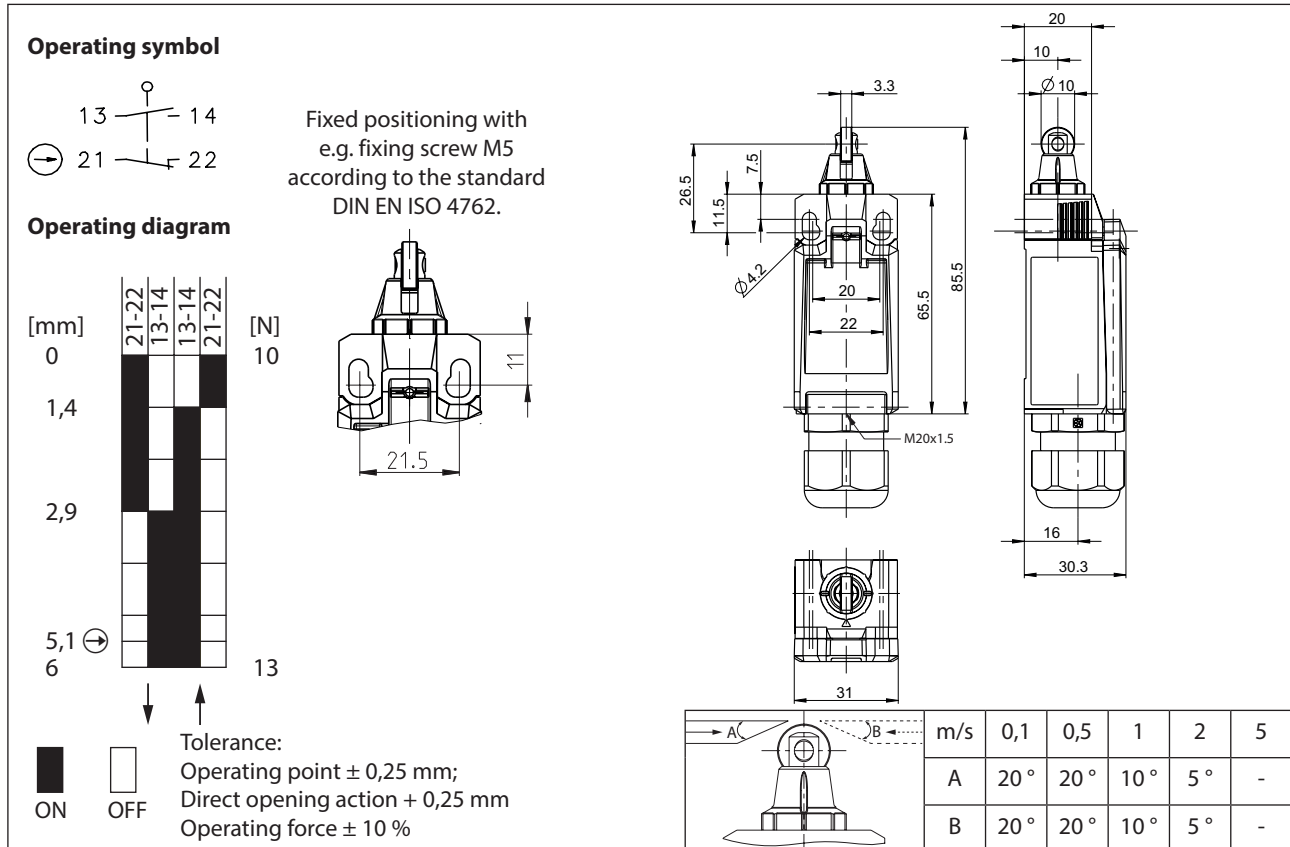


# Plastic bodied limit switch

## Series IN65

Description **IN65-SU1Z RK KV**

Article number **6183000381**



| Electrical Data                         |           |   |
|---|-----------|---|
| Rated insulation voltage                | $U_i$     | 400 V   |
| Rated impulse withstand voltage         | $U_{imp}$ | 4 kV  |
| Rated operational voltage               | $U_e$     | 240 V AC / 24 V DC  |
| Rated supply frequency AC               |           | 50 / 60 Hz  |
| Overvoltage category                    |           | II acc. EN 60947-1 annex H table H1                           |
| Conv. thermal current                   | $I_{the}$ | 5 A   |
| Minimum current                         |           | 1 mA  |
| Utilization category                    |           | AC 15, $U_e/I_e$ 240 V / 3 A<br>DC 13, $U_e/I_e$ 24 V / 1,5 A |
| Direct opening action                   | $\ominus$ | acc. IEC/EN 60947-5-1, annex K; direct opening force: 23 N    |
| Short-circuit protective device         |           | Fuse 4 A gG   |
| Rated conditional short-circuit current |           | 400 A   |
| Max. contact resistance                 |           | 25 mOhm (unused)  |

| <b>Mechanical data</b>             |   |
|------------------------------------|---|
| Enclosure                          | Thermoplastic, glass fibre reinforced (UL 94-V0)  |
| Cover                              | Thermoplastic, glass fibre reinforced (UL 94-V0)  |
| Actuator                           | Roller (Thermoplastic)  |
| Actuating force                    | $F_B$ 10 N $\leq F_B \leq$ 30 N   |
| Operating temperature              | -30 °C ... +75 °C   |
| Storage temperature                | -40 °C ... +80 °C   |
| Protection type                    | IP66 / IP67 acc. EN 60529   |
| Pollution degree (built-in switch) | 3   |
| Contact material                   | silver  |
| Device Class (built-in switch)     | Category E (MC3+CC2+SC1) acc. EN 60947-1 annex Q  |
| Contact type                       | 1 N.C. (Form Zb), 1 N.O.  |
| Operating rate                     | $V$ 0,06 m/min $\leq V \leq$ 30 m/min   |
| Bounce duration                    | ms < 3 ms   |
| Switchover time                    | ms < 8 ms   |
| Switching frequency                | $\leq$ 60 / min.  |
| Mechanical life                    | 15 x 10 <sup>6</sup> operating cycles   |
| Mission time                       | $\leq$ 20 years   |
| Connection                         | 4 screw connections (M3)  |
| Conductor cross-sections           | Solid or Litz wire with ferrules 0,34 mm <sup>2</sup> - 1,5 mm <sup>2</sup> ; AWG 22-16 |
| Conductor cross-sections           | Solid $\leq$ 1,5 mm <sup>2</sup> or Litz wire with ferrules $\leq$ 1,5 mm <sup>2</sup>  |
| Cable entrance                     | 1 x cable gland M20 x1,5 (clamping range 5 mm - 10 mm)                                  |
| Weight                             | $\approx$ 0,08 kg   |
| Installation position              | operator definable  |

| <b>Actuation</b>   |
|--|
| <p>The actuating device is preferably started from 2 sides.<br/>                     By lifting the clamp the actuation assembly can be rotated in 45° increments such that 8 actuation directions are possible.<br/>                     The actuation assembly is to be again fastened to the housing by lowering the clamp.</p> |

| <b>ID for safety engineering</b> |                             |
|----------------------------------|-----------------------------|
| B10d N.C.                        | 20 x 10 <sup>6</sup> cycles |
| B10d N.O.                        | 1 x 10 <sup>6</sup> cycles  |

| <b>Standards</b>         |
|--------------------------|
| DIN EN 60947-5-1         |
| UL 508 / CSA C22.2 No.14 |
| DIN EN ISO 13849-1       |
| EN81-20                  |
| EN81-50                  |

| <b>EU Conformity</b>   |
|--|
| acc. to directive 2006/42/EC (Safety-of-Machinery-Directive) |

| Approvals |   |
|-----------|---|
|           | DGUV (AC 15, U <sub>e</sub> /I <sub>e</sub> 240 V / 1,5 A; DC 13, U <sub>e</sub> /I <sub>e</sub> 24 V / 1,5 A)    |
|           | CCC (AC 15, U <sub>e</sub> /I <sub>e</sub> 240 V / 1,5 A; DC 13, U <sub>e</sub> /I <sub>e</sub> 24 V / 1,5 A)     |
|           | cCSA <sub>US</sub> B300, 240Vac 1.5A G.P., 24Vdc 1.5A R. Enclosure Type 4X  |
|           | TÜV SÜD (AC 15, U <sub>e</sub> /I <sub>e</sub> 240 V / 1,5 A; DC 13, U <sub>e</sub> /I <sub>e</sub> 24 V / 1,5 A) |

| Notes   |  |
|---|--|
| <p>The specified protection classification (IP code) applies only when the cover is closed and the appropriate cable is used, in accordance with the clamping range of the above mentioned cable gland.</p> <p>Packaging unit: 40 pieces including 1 x assembly instruction</p> |  |