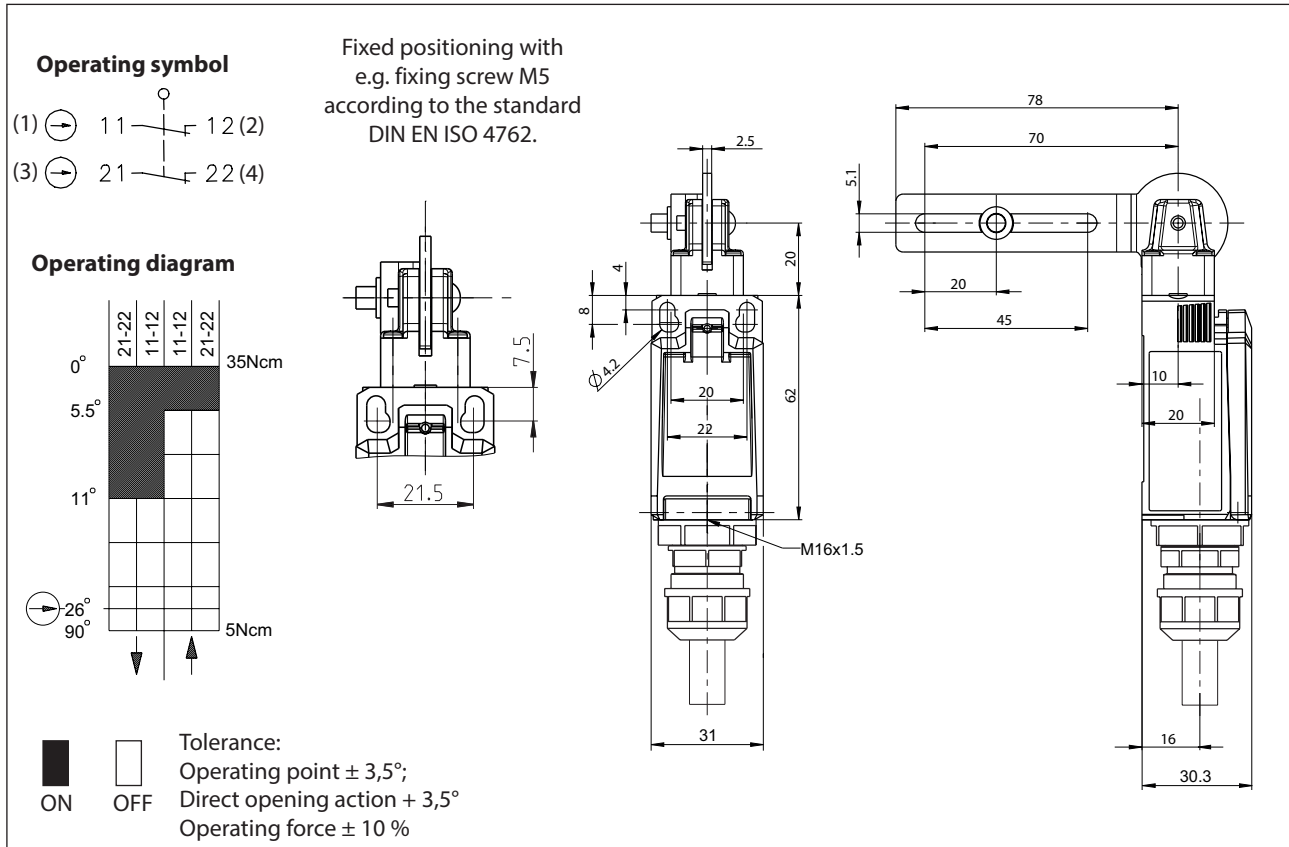


## Plastic bodied limit switch Series IN62

Description **IN62-SA2Z VKW RE M16 KV15**

Article number **6183000377**



Electrical Data		
Rated insulation voltage	$U_i$	400 V
Rated impulse withstand voltage	$U_{imp}$	4 kV
Rated operational voltage	$U_e$	240 V AC / 24 V DC
Rated supply frequency AC		50 / 60 Hz
Overvoltage category		II acc. EN 60947-1 annex H table H1
Conv. thermal current	$I_{the}$	5 A
Minimum current		1 mA
Utilization category		AC 15, $U_e/I_e$ 240 V / 3 A DC 13, $U_e/I_e$ 24 V / 1,5 A
Direct opening action		acc. IEC/EN 60947-5-1, annex K
Short-circuit protective device		Fuse 4 A gG
Protection class		II, totally insulated
Rated conditional short-circuit current		400 A
Max. contact resistance		25 mOhm (unused)

Mechanical data	
Enclosure	Thermoplastic, glass fibre reinforced (UL 94-V0)
Cover	Thermoplastic, glass fibre reinforced (UL 94-V0)
Actuator	Lever (metal)
Operating temperature	-30 °C ... +75 °C
Storage temperature	-40 °C ... +80 °C
Protection type	IP20 acc. EN 60529
Pollution degree (built-in switch)	3
Contact material	silver
Device Class (built-in switch)	Category E (MC3+CC2+SC1) acc. EN 60947-1 annex Q
Contact type	2 N.C. (Form Zb)
Bounce duration	ms The value depends on the operating rate.
Switchover time	ms The value depends on the operating rate.
Switching frequency	≤ 60 / min.
Mechanical life	15 x 10 <sup>6</sup> operating cycles
Mission time	≤20 years
Connection	Cable 4 x 0,75 mm <sup>2</sup> x 15 m, hose coupling Typ EH-M16x1.5/9 by MurrPlastik
Weight	≈ 0,52 kg
Installation position	operator definable

Actuation
<p>The actuating device is preferably started from 1 side.                      By loosening the 4 screws the actuation assembly can be rotated in 90 degree increments such that 4 actuation directions are possible.                      The actuation assembly is to be again fastened to the housing using the 4 screws.</p>

ID for safety engineering
B10d N.C. 20 x 10 <sup>6</sup> cycles

Standards
DIN EN 60947-5-1
UL 508 / CSA C22.2 No.14
DIN EN ISO 13849-1
EN81-20
EN81-50

EU Conformity
acc. to directive 2014/35/EU (Low-Voltage-Directive)

Notes
<p>The degree of protection (IP code) specified applies solely to a property closed cover and the use of an cable protection hose Typ EH-M12/P09 by MurrPlastik or to the plug matching mounted counterpart.                      Since a cable strain relief is not given, the device is only suitable for a fixed laying of the cable.</p>