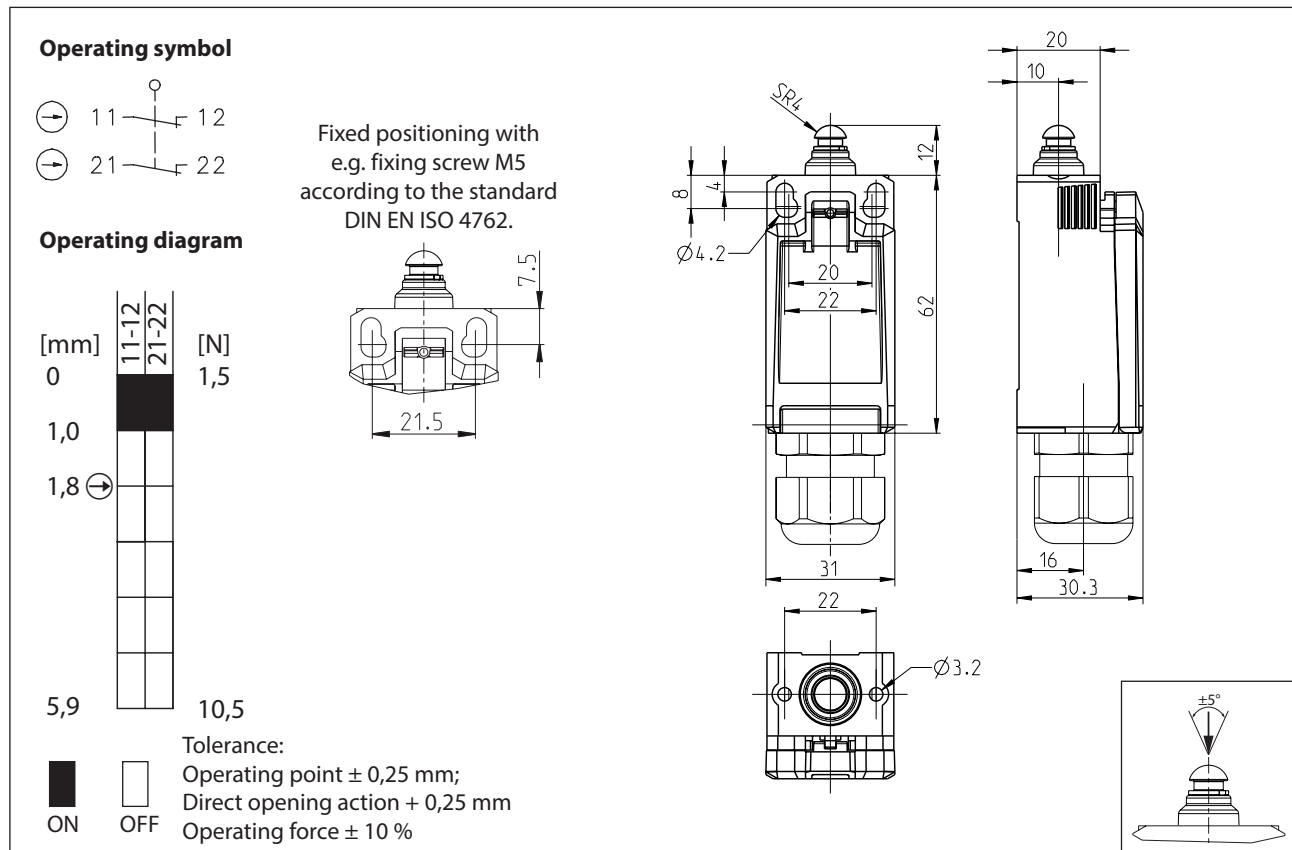


Plastic bodied limit switch Series IN62

Description **IN62-A2Z SK KV**

Article number **6183000272**



Electrical Data	
Rated insulation voltage	U_i 400 V
Rated impulse withstand voltage	U_{imp} 4 kV
Rated operational voltage	U_e 240 V AC / 24 V DC
Rated supply frequency AC	50 / 60 Hz
Overvoltage category	II acc. EN 60947-1 annex H table H1
Conv. thermal current	I_{the} 5 A
Minimum current	1 mA
Utilization category	AC 15, U_e/I_e 240 V / 3 A DC 13, U_e/I_e 24 V / 1,5 A (B300 table A.1)
Direct opening action	\ominus acc. IEC/EN 60947-5-1, annex K; direct opening force: 25 N
Short-circuit protective device	Fuse 4 A gG
Rated conditional short-circuit current	400 A
Max. contact resistance	25 mOhm (unused)
Protection class	\square II

Mechanical data		
Enclosure		Thermoplastic, glass fibre reinforced (UL 94-V0)
Cover		Thermoplastic, glass fibre reinforced (UL 94-V0)
Actuator		Plunger (Thermoplastic (UL 94-HB))
Actuating force	F_B	$10\text{ N} \leq F_B \leq 30\text{ N}$
Operating temperature		-30 °C ... +75 °C
Storage temperature		-40 °C ... +80 °C
Protection type		IP67 acc. EN 60529
Pollution degree (built-in switch)		3
Contact material		silver
Device Class (built-in switch)		Category E (MC3+CC2+SC1) acc. EN 60947-1 annex Q
Contact type		2 N.C. (Form Zb)
Isolating distance		4 mm (2x2 mm)
Operating rate	V	$0,06\text{ m/min} \leq V \leq 30\text{ m/min}$
Bounce duration	ms	The value depends on the operating rate.
Switchover time	ms	The value depends on the operating rate.
Switching frequency		$\leq 60 / \text{min.}$
Mechanical life		10×10^6 operating cycles
Mission time		≤ 20 years
Connection		4 screw connections (M3)
Conductor cross-sections		Solid or Litz wire with ferrules $0,34\text{ mm}^2 - 1,5\text{ mm}^2$; AWG 22-16
Cable entrance		1 x cable gland (RAL 9005) M20 x1,5 (clamping range 5 mm - 10 mm)
Weight		$\approx 0,06\text{ kg}$
Installation position		operator definable

Actuation	
The push bolt actuator is mainly intended to be actuated along its axis.	

ID for safety engineering	
B10d N.C.	20×10^6 cycles
B10d N.O.	1×10^6 cycles

Standards	
	DIN EN 60947-5-1
	UL 508 / CSA C22.2 No.14
	DIN EN ISO 13849-1
	EN81-20
	EN81-50

EU Conformity	
acc. to directive 2006/42/EC (Safety-of-Machinery-Directive)	

Approvals	
CCC (AC 15, U_e/I_e 240 V / 3 A; DC 13, U_e/I_e 24 V / 1,5 A)	
cCSA _{US} B300, 240Vac 3A G.P., 24Vdc 1.5A R. Enclosure Type 4X	

Notes

The degree of protection (IP code) specified applies solely to a property closed cover and the use of an equivalent cable gland with adequate cable.

PU (tbd), 1 operating and installation manual per PU