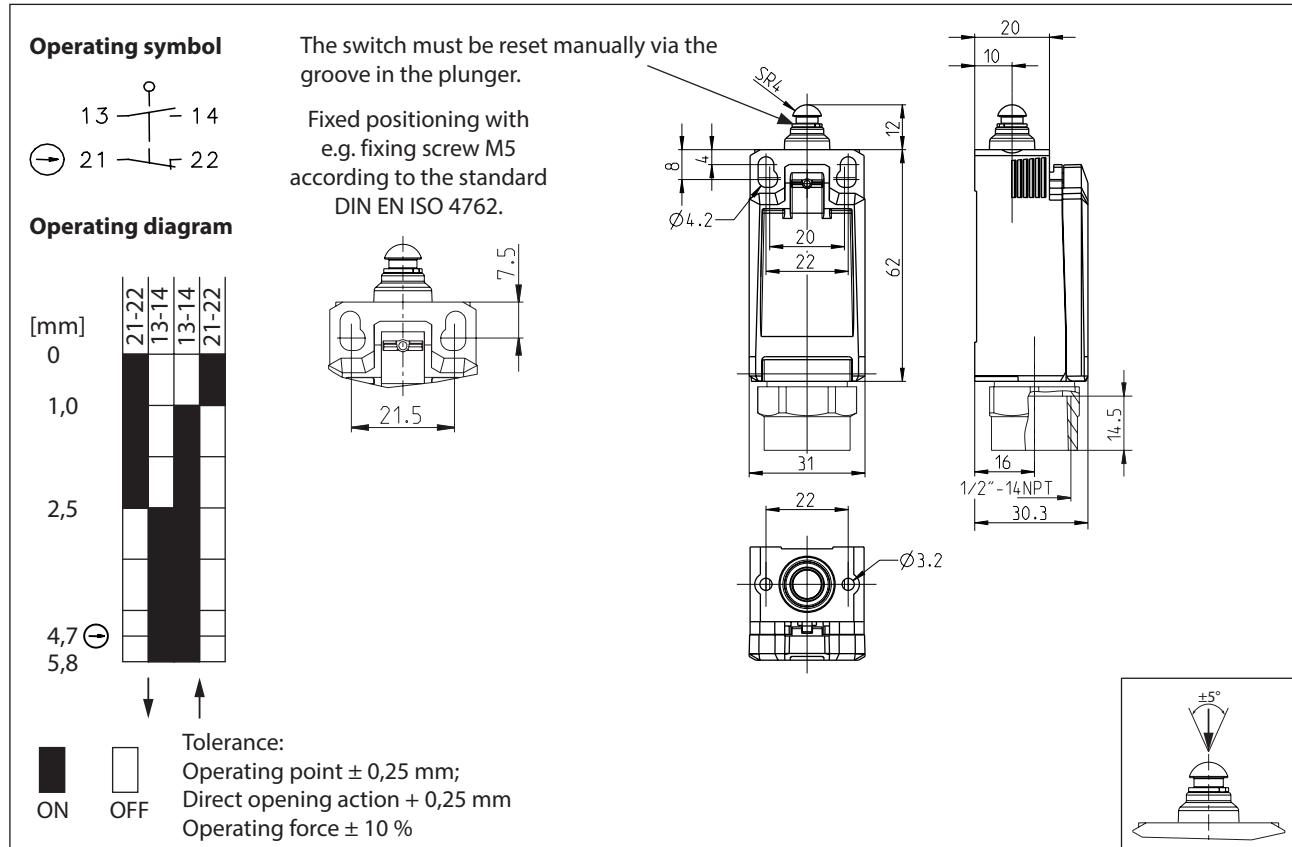


## Plastic bodied limit switch Series IN62

Description **IN62-SU1ZB SK NPT**

Article number **6183000265**



Electrical Data		
Rated insulation voltage	$U_i$	400 V
Rated impulse withstand voltage	$U_{imp}$	4 kV
Rated operational voltage	$U_e$	240 V AC / 24 V DC
Rated supply frequency AC		50 / 60 Hz
Overvoltage category		II acc. EN 60947-1 annex H table H1
Conv. thermal current	$I_{the}$	5 A
Minimum current		1 mA
Utilization category		AC 15, $U_e/I_e$ 240 V / 3 A DC 13, $U_e/I_e$ 24 V / 1,5 A (B300 table A.1)
Direct opening action	$\ominus$	acc. IEC/EN 60947-5-1, annex K; direct opening force: 18 N
Short-circuit protective device		Fuse 4 A gG
Rated conditional short-circuit current		400 A
Max. contact resistance		25 mOhm (unused)

Mechanical data	
Enclosure	Thermoplastic, glass fibre reinforced (UL 94-V0)
Cover	Thermoplastic, glass fibre reinforced (UL 94-V0)
Actuator	Plunger (Thermoplastic (UL 94-HB))
Actuating force	$F_B$ $5\text{ N} \leq F_B \leq 30\text{ N}$
Operating temperature	-30 °C ... +75 °C
Storage temperature	-40 °C ... +80 °C
Protection type	IP67 acc. EN 60529
Pollution degree (built-in switch)	3
Contact material	silver
Device Class (built-in switch)	Category E (MC3+CC2+SC1) acc. EN 60947-1 annex Q
Contact type	1 N.C. (Form Zb), 1 N.O.
Operating rate	$V$ $0,06\text{ m/min} \leq V \leq 30\text{ m/min}$
Bounce duration	ms < 3 ms
Switchover time	ms < 8 ms
Switching frequency	$\leq 60 / \text{min.}$
Mechanical life	$0,5 \times 10^6$ operating cycles
Mission time	$\leq 20$ years
Connection	4 screw connections (M3)
Conductor cross-sections	Solid or Litz wire with ferrules $0,34\text{ mm}^2 - 1,5\text{ mm}^2$ ; AWG 22-16
Cable entrance	Reducing ring M20x1.5/ 1/2"-14NPT
Weight	$\approx 0,06\text{ kg}$
Installation position	operator definable

Actuation
The push bolt actuator is mainly intended to be actuated along its axis.

ID for safety engineering	
B10d N.C.	$1 \times 10^6$ cycles
B10d N.O.	$1 \times 10^6$ cycles

Standards
DIN EN 60947-5-1
UL 508 / CSA C22.2 No.14
DIN EN ISO 13849-1
EN81-20
EN81-50

EU Conformity
acc. to directive 2006/42/EC (Safety-of-Machinery-Directive)

Approvals
CCC (AC 15, $U_e/I_e$ 240 V / 3 A; DC 13, $U_e/I_e$ 24 V / 1,5 A)
cCSA <sub>US</sub> B300, 240Vac 3A G.P., 24Vdc 1.5A R. Enclosure Type 1

**Notes**

The degree of protection (IP code) specified applies solely to a property closed cover and the use of an equivalent cable gland with adequate cable.

PU (tbd), 1 operating and installation manual per PU